



**I-2001-2100**  
20x13mm  
(R: 9mm)



**S-202-5**  
20x13mm  
(R: 9mm)



**KI-3001-2100**  
30x15mm  
(R: 10mm)



**E-P784-MH**  
30x20mm  
(R: 13mm)



**S-3020-5**  
30x20mm  
(R: 15mm)



**E-P6252-MH**  
42x18mm  
(R: 11mm)



**E-109-012**  
47,5x20mm  
(R: 15mm)



**S-4920-5**  
49x20mm  
(R: 13mm)



**S-7022-5**  
70x22mm  
(R: 17mm)



**KI-9001-2100**  
90x22mm  
(R: 16mm)



**E-070-012**  
10x20mm  
(R: 15mm)



**E-071-012**  
10x30mm  
(R: 25mm)



**S-1340-002**  
13x40mm  
(R: 35mm)



**KI-1503-2100**  
15x25mm  
(R:20mm)



**S-1525-5**  
15x25mm  
(R: 20mm)



**KI-1504-2100**  
15x30mm  
(R:25mm)



**KI-2003-2100**  
20x30mm  
(R:25mm)



**S-255-5**  
20x32mm  
(R: 28mm)



**E-003-012**  
20x41mm  
(R: 35mm)



**S-2055-002**  
20x55mm  
(R:50mm)



**S-2270-002**  
22x70mm  
(R: 65mm)



**KI-2501-2100**  
25x49mm  
(R: 43mm)



**S-2730-002**  
27x30mm  
(R: 20mm)



**S-3042-002**  
30x42mm  
(R: 37mm)



**KI-1501-2100**  
15x15mm  
(R: 11mm)



**S-1717-002**  
17x17mm  
(R:12mm)



**S-2020-002**  
20x20mm  
(R:10mm)



**E-P071-MH**  
20x20mm  
(R: 15mm)



**S-715-5**  
20x20mm  
(R: 15mm)



**KI-3002-2100**  
30x30mm  
(R: 24mm)



**E-117-012**  
30x30mm  
(R: 12mm)



**KI-4002-2100**  
40x40mm  
(R: 33mm)



**S-4040-002**  
40x40mm  
(R: 14mm)



**E-101-012**  
50x50mm  
(R:42mm)



**S-228-5**  
14x15mm  
(R: 10mm)



**E-P051-MH**  
16x14mm  
(R: 9mm)



**S-353-5**  
23x13mm  
(R: 9mm)



**E-P484-MH**  
25x15mm  
(R: 8mm)



**E-067-012**  
53x35mm  
(R: 15mm)



**KI-0501-2100**  
5x10mm  
(spacer)



**KI-0502-2100**  
5x15mm  
(spacer)



**KI-0503-2100**  
5x20mm  
(spacer)



**KI-0505-2100**  
5x30mm  
(spacer)



**E-044-012**  
35x34mm  
(H: 25mm)



**KI-4003-2100**  
40x35mm  
(H: 25mm)



**KI-4004-2100**  
40x40mm  
(H: 30mm)



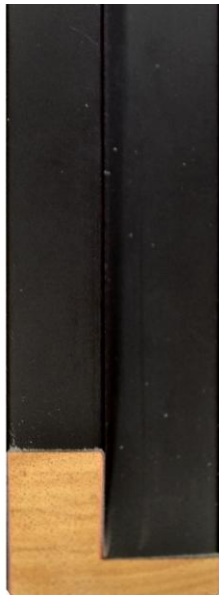
**E-059-012**  
40x49mm  
(H: 39mm)



**KI-4007-2100**  
40x55mm  
(H: 45mm)



**S-4555-002**  
45x55mm  
(H: 45mm)



**KI-01-0196**  
45x35mm  
(H: 24mm)



**S-5350-002**  
53x50mm  
(H: 40mm)



**S-6550-002**  
65x50mm  
(H: 38mm)



**KI-2001-2200**  
20x13mm  
(R: 9mm)



**S-202-3**  
20x13mm  
(R: 9mm)



**KI-3001-2200**  
30x15mm  
(R: 10mm)



**S-3020-3**  
30x20mm  
(R: 15mm)



**E-P784-MB**  
30x20mm  
(R: 13mm)



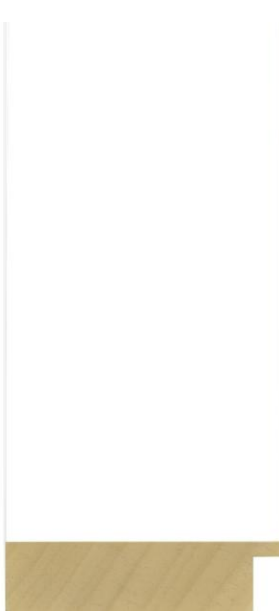
**E-P6252-MB**  
42x18mm  
(R: 11mm)



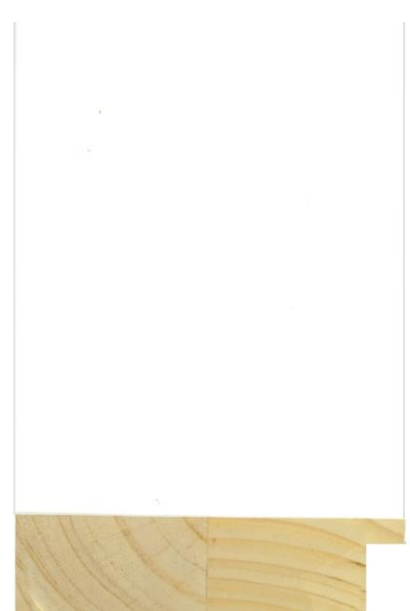
**E-109-025**  
47,5x20mm  
(R: 15mm)



**S-4920-3**  
49x20mm  
(R: 13mm)



**S-7022-3**  
70x22mm  
(R: 17mm)



**S-9530-001**  
95x30mm  
(R: 22mm)



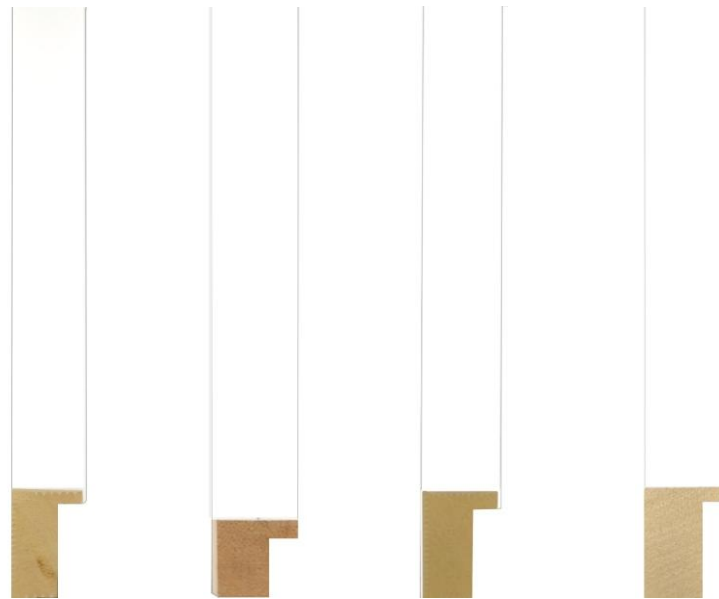
**E-070-025**  
10x20mm  
(R: 15mm)

**E-071-025**  
10x30mm  
(R: 25mm)

**S-1340-001**  
13x40mm  
(R: 35mm)

**KI-1503-2200**  
15x25mm  
(R: 20mm)

**S-1525-3**  
15x25mm  
(R: 20mm)



**KI-1504-2200**  
15x30mm  
(R: 25mm)

**KI-01-0301**  
20x22mm  
(R: 16mm)

**KI-2003-2200**  
20x30mm  
(R: 25mm)

**S-255-3**  
20x32mm  
(R: 28mm)



**E-003-025**  
20x41mm  
(R: 35mm)



**S-2055-001**  
20x55mm  
(R:50mm)



**S-2270-001**  
22x70mm  
(R:65mm)



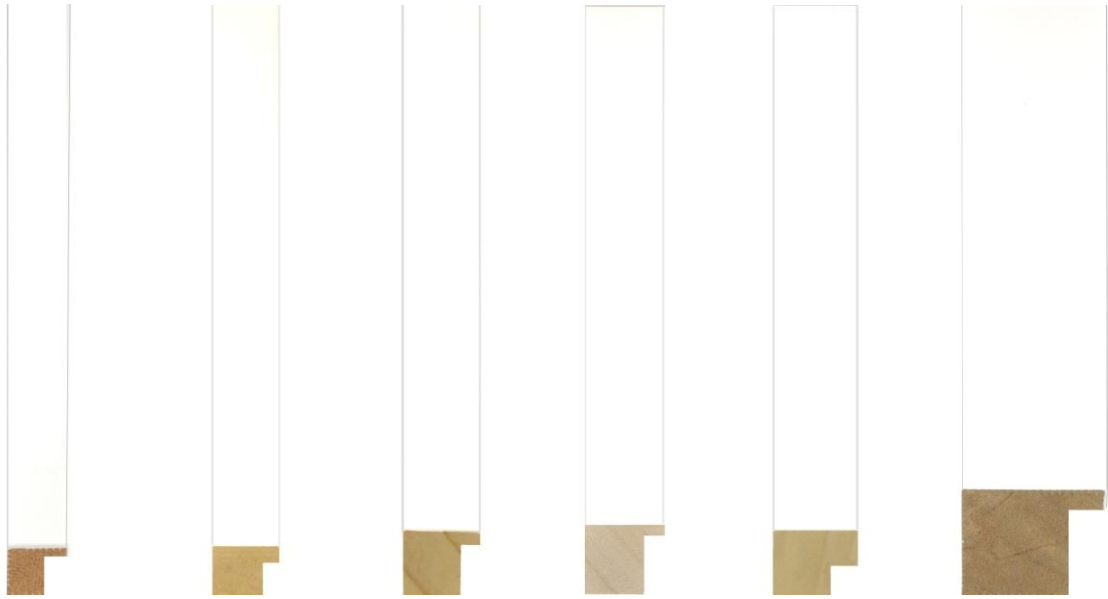
**KI-2501-2200**  
25x49mm  
(R: 43mm)



**S-2730-001**  
27x30mm  
(R: 20mm)



**S-3042-001**  
30x42mm  
(R: 37mm)



**KI-1501-2200**  
15x15mm  
(R: 11mm)

**S-1717-001**  
17x17mm  
(R: 12mm)

**E-P071-MB**  
20x20mm  
(R: 15mm)

**S-715-3**  
20x20mm  
(R: 15mm)

**S-2020-001**  
20x20mm  
(R:10mm)

**KI-3002-2200**  
30x30mm  
(R:24mm)



**S-3030-001**  
30x30mm  
(R: 12mm)



**KI-4002-2200**  
40x40mm  
(R: 33mm)



**S-4040-001**  
40x40mm  
(R: 14mm)



**E-101-025**  
50x50mm  
(R:42mm)



**S-228-3**  
14x15mm  
(R: 10mm)



**E-P051-MB**  
16x14mm  
(R: 9mm)



**S-353-3**  
23x13mm  
(R: 9mm)



**E-P484-MB**  
25x15mm  
(R: 8mm)

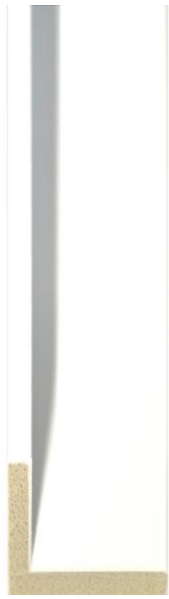


**KI-0501-2200** 5x10mm  
(spacer)

**KI-0502-2200** 5x15mm  
(spacer)

**KI-0503-2200** 5x20mm  
(spacer)

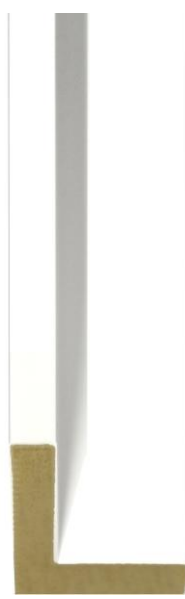
**KI-0505-2200** 5x30mm  
(spacer)



**E-044-025**  
35x34mm  
(H: 25mm)



**KI-4003-2200**  
40x35mm  
(H: 25mm)



**KI-4004-2200**  
40x40mm  
(H: 30mm)



**E-059-025**  
40x49mm  
(H: 39mm)



**KI-4007-2200**  
40x55mm  
(H: 45mm)



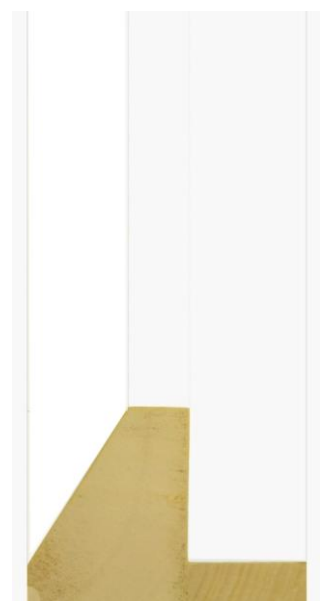
**S-4555-001**  
45x55mm  
(R: 45mm)



**KI-01-0396**  
45x35mm  
(R:24mm)



**S-5350-001**  
53x50mm  
(R:40mm)



**S-6550-001**  
65x50mm  
(R:38mm)



**E-065-012**  
22x22mm  
(H: 4mm)



**E-065-025**  
22x22mm  
(H: 4mm)



**E-066-012**  
20x42mm  
(H: 4mm)



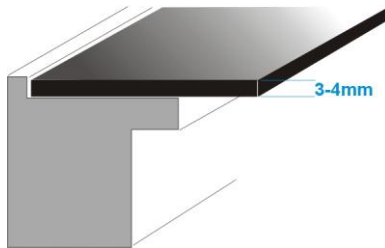
**E-066-025**  
20x42mm  
(H: 4mm)



**10531-1**  
20x30mm



**10531-2**  
20x30mm





**KI-01-0270**  
22x18mm  
(R: 8mm)



**KI-01-0838**  
15x15mm  
(R: 9mm)



**S-1717-003**

17x17mm  
(R: 12mm)



**S-1717-004**

17x17mm  
(R: 12mm)



**S-1717-005**

17x17mm  
(R: 12mm)



**S-1717-006**

17x17mm  
(R: 12mm)



**S-1717-007**

17x17mm  
(R: 12mm)



**S-1717-009**

17x17mm  
(R: 12mm)



**S-1717-010**

17x17mm  
(R: 12mm)



**S-1717-013**

17x17mm  
(R: 12mm)



**S-1717-019**

17x17mm  
(R: 12mm)



**S-1717-032**

17x17mm  
(R: 12mm)



**S-1717-035**

17x17mm  
(R: 12mm)



**S-1717-039**

17x17mm  
(R: 12mm)



**S-2020-019**  
20x20mm  
(R: 10mm)



**S-2020-039**  
20x20mm  
(R: 10mm)



**S-449-001**  
30x22mm  
(R: 13mm)



**S-449-002**  
30x22mm  
(R: 13mm)



**S-449-009**  
30x22mm  
(R: 13mm)



**S-449-019**  
30x22mm  
(R: 13mm)



**S-449-039**  
30x22mm  
(R: 13mm)



**S-449-075**  
30x22mm  
(R: 13mm)



**S-449-314**  
30x22mm  
(R: 13mm)



**S-2013-510**  
20x13mm  
(R: 9mm)



**S-2013-516**  
20x13mm  
(R: 9mm)



**S-353-510**  
23x13mm  
(R: 9mm)



**S-3020-510**  
30x20mm  
(R: 15mm)



**S-4920-510**  
49x20mm  
(R: 13mm)



**S-7022-510**  
69x22mm  
(R: 17mm)



**S-1316-516**  
13x16mm  
(R: 11mm)



**S-1415-510**  
14x15mm  
(R: 10mm)



**S-1525-510**  
15x25mm  
(R: 20mm)



**S-2032-516**  
20x32mm  
(R: 26mm)



**S-2032-510**  
20x32mm  
(R: 26mm)



**S-2045-516**  
20x45mm  
(R: 39mm)



**S-715-607**  
20x20mm  
(R: 16mm)



**S-715-510**  
20x20mm  
(R: 16mm)



**S-1533-902**  
23x34mm  
(R: 18mm)



**S-606-902**  
29x23mm  
(R: 13mm)



**S-950-902**  
30x24mm  
(R: 8mm)



**S-2372-602**  
30x20mm  
(R: 10mm)



**S-5336-902**  
30x24mm  
(R: 12mm)



**S-2329-902**  
35x42mm  
(R: 27mm)



**S-1535-902**  
45x34mm  
(R: 14mm)



**S-3484-2**  
49x28mm  
(R: 12mm)



**S-5337-902**  
54x37mm  
(R: 17mm)



**S-916-902**  
70x30mm  
(R: 25mm)



**S-916-904**  
70x30mm  
(R: 25mm)



**S-607-902**  
74x44mm  
(R: 25mm)



**S-3935-902**  
85x58mm  
(R: 14mm)



**S-000-011**  
13x50mm  
(R: 43mm)



**S-000-041**  
40x20mm  
(R: 14mm)



**S-2013-509**  
20x13mm  
(R: 9mm)



**S-2013-515**  
20x13mm  
(R: 9mm)



**S-353-9**  
23x13mm  
(R: 9mm)



**S-3020-509**  
30x20mm  
(R: 15mm)



**S-4920-509**  
49x20mm  
(R: 13mm)



**S-7022-509**  
69x22mm  
(R: 17mm)



**S-1316-515**  
13x16mm  
(R: 11mm)



**S-1415-509**  
14x15mm  
(R: 10mm)



**S-1525-509**  
15x25mm  
(R: 20mm)



**S-2032-509**  
20x32mm  
(R: 26mm)



**S-2032-515**  
20x32mm  
(R: 26mm)



**S-2045-515**  
20x45mm  
(R: 39mm)



**S-715-606**  
20x20mm  
(R: 16mm)



**S-715-509**  
20x20mm  
(R: 16mm)



**S-1533-901**  
23x34mm  
(R: 18mm)



**S-606-901**  
29x23mm  
(R: 13mm)



**S-950-901**  
30x24mm  
(R: 8mm)



**S-2372-601**  
30x20mm  
(R: 10mm)



**S-5336-901**  
30x24mm  
(R: 12mm)



**S-2329-901**  
35x42mm  
(R: 27mm)



**S-1535-901**  
45x34mm  
(R: 14)



**S-3484-1**  
49x28mm  
(R: 12mm)



**S-5337-901**  
54x37mm  
(R: 17mm)



**S-916-901**  
70x30mm  
(R: 25mm)



**S-916-903**  
70x30mm  
(R: 25mm)



**S-607-901**  
74x44mm  
(R: 25mm)



**S-3485-901**  
77x52mm  
(R: 15mm)



**S-3935-901**  
85x58mm  
(R: 14mm)



**S-000-022**  
20x40mm  
(R: 30mm)



**S-000-032**  
34x33mm  
(R: 26mm)



**S-000-042**  
40x20mm  
(R: 14mm)



**S-999-44C**  
42X37mm  
(H : 27mm)



**S-999-44N**  
42X37mm  
(H : 27mm)



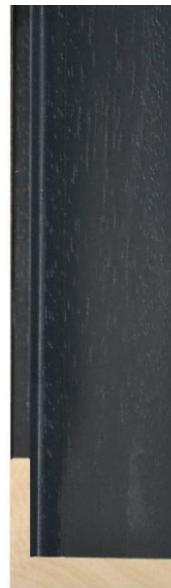
**S-999-44W**  
42X37mm  
(H : 27mm)



**10601-0**  
42x37mm  
(H: 27mm)



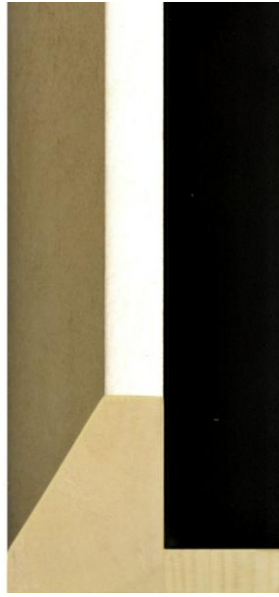
**10601-1**  
42x37mm  
(H : 27mm)



**10601-2**  
42x37mm  
(H : 27mm)



**KI-01-0772**  
52x36mm  
(H: 25mm)



**S-6550-901**  
65x50mm  
(H:38mm)



**S-6550-902**  
65x50mm  
(H:38mm)



**S-3535-311**  
35x35mm  
(H: 24mm)



**S-3535-312**  
35x35mm  
(H: 24mm)



**S-3535-313**  
35x35mm  
(H: 24mm)



**S-3535-314**  
35x35mm  
(H: 24mm)



**S-3535-315**  
35x35mm  
(H: 24mm)



**S-3535-601**  
35x35mm  
(H: 24mm)



**S-3535-602**  
35x35mm  
(H: 24mm)



**S-3535-605**  
35x35mm  
(H: 24mm)



**KI-01-2208**  
35x44mm  
(H: 27mm)



**KI-01-2214**  
35x44mm  
(H: 27mm)



**KI-01-2216**  
35x44mm  
(H: 27mm)



**KI-4003-2111**  
40x35mm  
(H: 25mm)



**KI-4004-2111**  
40x40mm  
(H: 30mm)



**KI-4007-2111**  
40x55mm  
(H: 45mm)



**S-963-02E**  
43x35mm  
(R: 23mm)



**S-963-01E**  
43x35mm  
(R: 23mm)



**S-963-314**  
43x35mm  
(R: 23mm)



**S-963-325**  
43x35mm  
(R: 23mm)



**S-963-100**  
43x35mm  
(R: 23mm)



**S-594-200**  
38x38mm  
(R: 27mm)



**S-4050-000**  
44x50mm  
(R: 40mm)



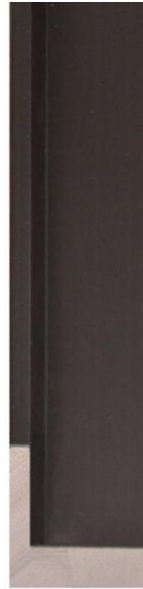
**S-2075-009**  
33x41mm  
(H: 28mm)



**S-2075-019**  
33x41mm  
(H: 28mm)



**S-2075-039**  
33x41mm  
(H: 28mm)



**S-2075-075**  
33x41mm  
(H: 28mm)



**S-2075-314**  
33x41mm  
(H: 28mm)



**S-4555-601**  
45x55mm  
(H: 45mm)



**S-4555-602**  
45x55mm  
(H: 45mm)



**S-4555-603**  
45x55mm  
(H: 45mm)



**S-4435-601**  
44x35mm  
(H: 24mm)



**KI-01-0764**  
45x57mm  
(H: 44mm)



**S-795-901**  
50x37  
(R: 17mm)



**S-795-902**  
50x37  
(R: 17mm)



**S-795-904**  
50x37  
(R: 17mm)



**S-2401-001**  
70x35mm  
(R: 10mm)



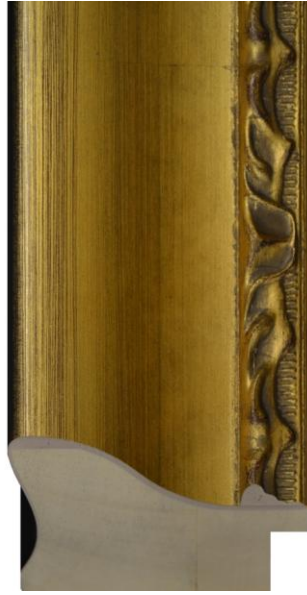
**S-2401-002**  
70x35mm  
(R: 10mm)



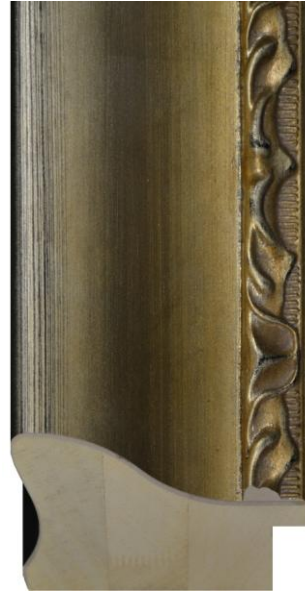
**S-2401-901**  
70x35mm  
(R: 10mm)



**S-3492-901**  
70x44mm  
(R: 19mm)



**S-3492-902**  
70x44mm  
(R: 19mm)



**S-3492-903**  
70x44mm  
(R: 19mm)



**S-895-901**  
70x54mm  
(R: 27mm)



**S-895-902**  
70x54mm  
(R: 27mm)



**S-895-904**  
70x54mm  
(R: 27mm)



**S-7333-901**  
73x37mm  
(R: 21mm)



**S-7333-902**  
73x37mm  
(R: 21mm)



**S-3979-901**  
77x54mm  
(R: 10mm)



**KI-01-0114**  
74x40mm  
(R: 15mm)



**S-946-901**  
92x60mm  
(R: 23mm)



**S-946-902**  
92x60mm  
(R: 23mm)



**S-946-903**  
92x60mm  
(R: 23mm)



**S-946-904**  
92x60mm  
(R: 23mm)



**S-306-901**  
95x56mm  
(R: 16mm)



**S-995-901**  
102x79mm  
(R: 25mm)



**S-995-902**  
102x79mm  
(R: 25mm)



**S-995-903**  
102x79mm  
(R: 25mm)



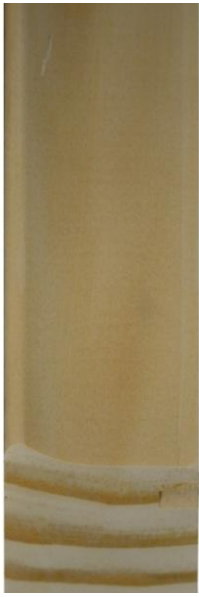
**S-995-904**  
102x79mm  
(R: 25mm)



**10618/25**  
25x29mm



**10618/C**  
31x25mm  
(R: 20mm)



**KI-05-8003**  
45x38mm



**KI-05-8005**  
40x18mm



**KI-05-8006**  
45x13mm



**KI-05-8007**  
60x18mm



**KI-05-8014**  
32x35mm



**KI-05-INSET**



**S-430-000**  
38x23mm  
(R: 7mm)



**S-430-001**  
38x23mm  
(R: 7mm)



**S-430-002**  
38x23mm  
(R: 7mm)



**S-430-301**  
38x23mm  
(R: 7mm)



**S-430-302**  
38x23mm  
(R: 7mm)



**S-202-02E**  
20x13mm  
(R: 9mm)



**S-2013-342**  
20x13mm  
(R: 9mm)



**S-353-02E**  
23x13mm  
(R: 9mm)



**S-3020-02E**  
30x20mm  
(R: 15mm)



**S-4920-302**  
49x20mm  
(R: 13mm)



**S-7022-302**  
70x22mm  
(R: 17mm)



**S-1340-302**  
13x40mm  
(R: 35mm)



**S-1525-02E**  
15x25mm  
(R: 20mm)



**10587-2**  
15x30mm  
(R: 10mm)



**10604-2**  
18x49mm  
(R: 25mm)



**S-255-02E**  
20x32mm  
(R: 28mm)



**S-2055-302**  
20x55mm  
(R: 50mm)



**S-2270-302**  
22x70mm  
(R: 65mm)



**S-715-02E**  
20x20mm  
(R: 15mm)



**S-963-02E**  
43x35mm  
(R: 23mm)



**S-4050-302**  
44x50mm  
(H: 40mm)



**S-594-302**  
40x40mm  
(R: 27mm)



**S-105-302**  
5x10mm



**S-155-302**  
5x15mm



**S-205-302**  
5x20mm



**S-305-302**  
5x30mm



**S-405-302**  
5x40mm



**S-11-OB**  
20x20mm  
(R: 15mm)



**S-13-OB**  
15x30mm  
(R: 25mm)



**S-14-OB**  
30x20mm  
(R: 15mm)



**S-15-OB**  
20x40mm  
(R: 35mm)



**S-16-OB**  
27x40mm  
(R: 35mm)



**S-34-OB**  
20x30mm  
(R: 25mm)



**S-202-01E**  
20x13mm  
(R: 9mm)



**S-2013-341**  
20x13mm  
(R: 9mm)



**S-353-01E**  
23x13mm  
(R: 9mm)



**S-3020-01E**  
30x20mm  
(R: 15mm)



**S-4920-301**  
49x20mm  
(R: 13mm)



**S-7022-301**  
70x22mm  
(R: 17mm)



**S-1340-301**  
13x40mm  
(R: 35mm)



**S-1525-01E**  
15x25mm  
(R: 20mm)



**10587-1**  
15x30mm  
(R:10mm)



**10604-1**  
18x49mm  
(R:25mm)



**S-255-01E**  
20x32mm  
(R: 28mm)



**S-2055-301**  
20x55mm  
(R: 50mm)



**S-2270-301**  
20x70mm  
(R: 65mm)



**S-715-01E**  
20x20mm  
(R: 15mm)



**S-963-01E**  
43x35mm  
(R: 23mm)



**S-4050-301**  
44x50mm  
(R: 40mm)



**S-594-301**  
40x40mm  
(R: 27mm)



**S-105-301**  
5x10mm



**S-155-301**  
5x15mm



**S-205-301**  
5x20mm



**S-305-301**  
5x30mm



**S-405-301**  
5x40mm



**S-202-314**  
20x13mm  
(R: 9mm)



**S-202-325**  
20x13mm  
(R: 9mm)



**S-2013-344**  
20x13mm  
(R: 9mm)



**S-2013-345**  
20x13mm  
(R: 9mm)



**S-1525-314**  
15x25mm  
(R: 20mm)



**S-1525-0722**  
15x25mm  
(R: 20mm)



**S-1525-325**  
15x25mm  
(R: 20mm)



**S-255-314**  
20x32mm  
(R: 28mm)



**S-255-0722**  
20x32mm  
(R: 28mm)



**S-255-325**  
20x32mm  
(R: 28mm)



**S-2013-303**  
20x13mm  
(R: 9mm)



**S-2013-304**  
20x13mm  
(R: 9mm)



**S-2013-305**  
20x13mm  
(R: 9mm)



**S-2013-306**  
20x13mm  
(R: 9mm)



**S-2013-307**  
20x13mm  
(R: 9mm)



**S-2013-309**  
20x13mm  
(R: 9mm)



**S-2013-310**  
20x13mm  
(R: 9mm)



**S-2013-326**  
20x13mm  
(R: 9mm)



**S-2013-339**  
20x13mm  
(R: 9mm)



**S-2013-340**  
20x13mm  
(R: 9mm)



**S-2013-341**  
20x13mm  
(R: 9mm)



**S-2013-342**  
20x13mm  
(R: 9mm)



**S-715-314**  
20x20mm  
(R: 15mm)



**S-715-0722**  
20x20mm  
(R: 15mm)



**S-3020-314**  
30x20mm  
(R: 15mm)



**S-3020-0722**  
30x20mm  
(R: 15mm)



**S-3020-325**  
30x20mm  
(R: 15mm)



**S-4920-314**  
49x20mm  
(R: 13mm)



**S-4920-0722**  
49x20mm  
(R: 13mm)



**S-4920-325**  
49x20mm  
(R: 13mm)



**S-7022-314**  
70x22mm  
(R: 17mm)



**S-228-314**  
14x15mm  
(R: 10mm)



**S-228-325**  
17x15mm  
(R: 10mm)



**S-353-314**  
23x13mm  
(R: 9mm)



**S-353-0722**  
23x13mm  
(R: 9mm)



**S-353-325**  
23x13mm  
(R: 9mm)



**S-529-314**  
25x17mm  
(R: 12mm)



**S-529-325**  
25x17mm  
(R: 12mm)



**S-232-325**  
40x18mm  
(R: 18mm)



**S-559-325**  
43x30mm  
(R: 12mm)



**S-569-325**  
43x68mm  
(R: 25mm)



**S-963-314**  
43x35mm  
(R: 23mm)



**S-963-325**  
43x35mm  
(R: 23mm)



**S-202-100**  
20x13mm  
(R: 9mm)



**S-353-100**  
23x13mm  
(R: 9mm)



**S-529-100**  
25x17mm  
(R: 12mm)



**S-3020-100**  
30x20mm  
(R: 15mm)



**S-3025-000**  
30x25mm  
(R: 18mm)



**S-232-100**  
40x18mm  
(R: 18mm)



**S-4920-100**  
49x20mm  
(R: 13mm)



**S-7022-100**  
70x22mm  
(R: 17mm)



**SLJ-N1110A**  
10x20mm  
(R: 15mm)



**S-1340-100**  
13x40mm  
(R: 35mm)



**S-228-100**  
14x15mm  
(R: 10mm)



**S-1525-100**  
15x25mm  
(R: 20mm)



**10587-0**  
15x30mm  
(R:10mm)



**SLJ-N1113A**  
15x30mm  
(R: 25mm)



**SLJ-N1112A**  
18x28mm  
(R: 23mm)



**10604-0**  
18x49mm  
(R:25mm)



**S-255-100**  
20x32mm  
(R: 28mm)



**SLJ-N1115A**  
20x40mm  
(R: 35mm)



**S-2055-000**  
20x55mm  
(R: 50mm)



**S-2270-100**  
22x70mm  
(R: 65mm)



**S-3042-000**  
30x42mm  
(R: 37mm)



**S-715-100**  
20x20mm  
(R: 15mm)



**S-2020-000**  
20x20mm  
(R: 10mm)



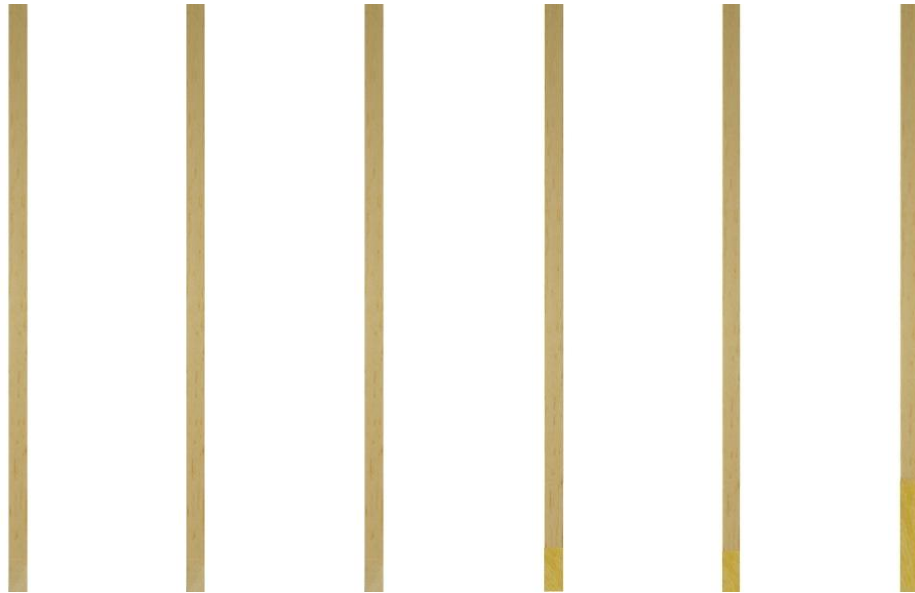
**SLJ-A6203**  
43x21mm  
(R: 12mm)



**10601-0**  
42x37mm  
(H: 27mm)



**10620-0**  
44x54mm  
(H: 44mm)



**S-105-000**  
5x10mm  
spacer

**S-765-100**  
5x15mm  
spacer

**S-775-100**  
5x20mm  
spacer

**S-305-000**  
5x30mm  
spacer

**S-405-000**  
5x40mm  
spacer

**10594**  
5x54mm  
spacer



**S-594-200**  
35x38mm  
(R: 28mm)



**S-963-100**  
43x35mm  
(R: 23mm)



**S-4050-000**  
44x50mm  
(R: 40mm)



**10622**  
38x11mm  
(reinforcement)



**10537**  
50x10mm  
(reinforcement)



**10625**  
15x15mm  
(R: 10mm)



**10626**  
20x15mm  
(R: 15mm)



**10627**  
20x20mm  
(R: 15mm)



**10628**  
15x30mm  
(R: 25mm)



**10629**  
20x30mm  
(R: 25mm)



**10630**  
20x40mm  
(R: 35mm)



**10636**  
30x15mm  
(R: 10mm)



**10637**  
40x15mm  
(R: 10mm)



**10638**  
5x10mm  
spacer



**10639**  
5x15mm  
spacer



**10640**  
5x20mm  
spacer



**10631**  
40x30mm  
(R: 20mm)



**10632**  
50x40mm  
(R: 30mm)



**10634**  
45x35mm  
(R: 25mm)



**10635**  
50x60mm  
(R: 50mm)



**SLJ-N1131C**  
40x30mm  
(H: 20mm)



**SLJ-N1133T**  
10x30mm  
(R: 25mm)



**SLJ-N1113T**  
15x30mm  
(R: 25mm)



**SLJ-N1112T**  
18x28mm  
(R: 22mm)



**SLJ-N1111T**  
20x20mm  
(R: 15mm)



**SLJ-N1115T**  
20x40mm  
(R: 35mm)



**SLJ-N1116T**  
27x40mm  
(R: 35mm)



**S-15-O**  
20x40mm  
(R: 35mm)



**S-16-O**  
27x40mm  
(R: 35mm)



**S-34-O**  
20x30mm  
(R: 25mm)



**S-12-OB**  
18x28mm  
(R: 23mm)



**S-13-OB**  
15x30mm  
(R: 25mm)



**S-14-OB**  
30x20mm  
(R: 15mm)



**S-16-OB**  
27x40mm  
(R: 35mm)



**S-34-OB**  
20x30mm  
(R: 25mm)



**SLJ-N1113W**  
15x30mm  
(R: 25mm)



**SLJ-N1112W**  
18x28mm  
(R: 22mm)



**SLJ-N1111W**  
20x20mm  
(R: 14mm)



**SLJ-N1116W**  
27x40mm  
(R: 35mm)



*om te schilderen*  
*pour teinter*  
*to paint*



**S-999-17C**  
5x10mm  
(spacer)



**S-999-18C**  
6x15mm  
(spacer)



**S-999-19C**  
6x20mm  
(spacer)



**S-999-10C**  
10x20mm  
(R: 15mm)



**S-999-13C**  
15x30mm  
(R: 25mm)



**S-999-12C**  
18x28mm  
(R: 23mm)



**S-999-15C**  
20x40mm  
(R: 35mm)



**S-999-23C**  
15x15mm  
(R: 10mm)



**S-999-11C**  
20x20mm  
(R: 15mm)



**S-999-14C**  
30x20mm  
(R: 15mm)



**S-999-44C**  
42X37mm  
(H : 27mm)



**S-999-32C**  
50x40mm  
(H: 30mm)



**S-999-17N**  
5x10mm  
(spacer)



**S-999-18N**  
6x15mm  
(spacer)



**S-999-19N**  
6x20mm  
(spacer)



**S-999-10N**  
10x20mm  
(R: 15mm)



**S-999-13N**  
15x30mm  
(R: 25mm)



**S-999-12N**  
18x28mm  
(R: 23mm)



**S-999-15N**  
20x40mm  
(R: 35mm)



**S-999-23N**  
15x15mm  
(R: 10mm)



**S-999-11N**  
20x20mm  
(R: 15mm)



**S-999-14N**  
30x20mm  
(R: 15mm)



**S-999-44N**  
42X37mm  
(H : 27mm)



**S-990-001**  
20x14mm  
(R: 10mm)



**S-990-002**  
20x14mm  
(R: 10mm)



**S-990-003**  
20x14mm  
(R: 10mm)



**S-998-004**  
25x28mm  
(R: 13mm)



**S-994-001**  
30x22mm  
(R: 10mm)



**S-994-002**  
30x22mm  
(R: 10mm)



**S-994-003**  
30x22mm  
(R: 10mm)



**S-992-001**  
37x35mm  
(R: 30mm)



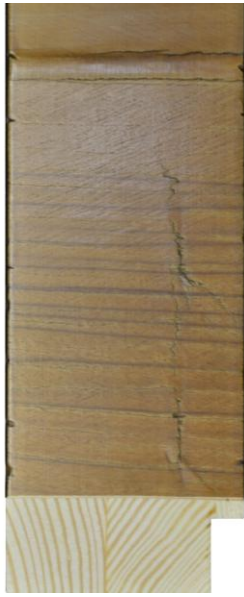
**S-992-002**  
37x35mm  
(R: 30mm)



**S-992-003**  
37x35mm  
(R: 30mm)



**S-999-004**  
50x28mm  
(R: 13mm)



**S-991-001**  
55x25mm  
(R: 19mm)



**S-991-002**  
55x25mm  
(R: 19mm)



**S-991-003**  
55x25mm  
(R: 19mm)



**S-995-001**  
69x30mm  
(R: 15mm)



**S-995-002**  
69x30mm  
(R: 15mm)



**S-995-003**  
69x30mm  
(R: 15mm)



**S-996-001**  
103x50mm  
(R: 20mm)



**S-996-002**  
103x50mm  
(R: 20mm)



**S-996-003**  
103x50mm  
(R: 20mm)



**S-999-17W**  
5x10mm  
(spacer)



**S-999-18W**  
6x15mm  
(spacer)



**S-999-19W**  
6x20mm  
(spacer)



**S-999-10W**  
10x20mm  
(R: 15mm)



**S-999-13W**  
15x30mm  
(R: 25mm)



**S-999-12W**  
18x28mm  
(R: 23mm)



**S-999-15W**  
20x40mm  
(R: 35mm)



**S-999-23W**  
15x15mm  
(R: 10mm)



**S-999-11W**  
20x20mm  
(R: 15mm)



**S-999-14W**  
30x20mm  
(R: 15mm)



**S-999-44W**  
42x37mm  
(H: 27mm)



**S-999-32W**  
50x40mm  
(H: 30mm)



**E-017-018**  
10x14mm  
(R : 10mm)



**E-018-018**  
15x14mm  
(R : 10mm)



**E-019-018**  
20x14mm  
(R : 10mm)



**E-020-018**  
30x14mm  
(R : 10mm)



**E-021-018**  
40x14mm  
(R : 10mm)



**E-002-003**  
35x28mm  
(R: 21mm)



**E-011-001**  
20x20mm  
(R: 15mm)



**E-011-002**  
20x20mm  
(R: 15mm)



**E-011-003**  
20x20mm  
(R: 15mm)



**E-011-004**  
20x20mm  
(R: 15mm)



**E-011-005**  
20x20mm  
(R: 15mm)



**10596-1**  
74x23mm



**10596-2**  
74x23mm



**10597-1**  
44x23mm



**10597-2**  
44x23mm



**E-032-032**  
36x28mm  
(R: 18mm)



**S-301-300**  
20x14mm  
(R: 9mm)



**S-301-303**  
20x14mm  
(R: 9mm)



**S-301-307**  
20x14mm  
(R: 9mm)



**S-301-413**  
20x14mm  
(R: 9mm)



**S-1533-901**  
23x34mm  
(R: 18mm)



**S-1533-902**  
23x34mm  
(R: 18mm)



**S-2329-901**  
35x42mm  
(R: 27mm)



**S-2329-902**  
35x42mm  
(R: 27mm)



**S-916-901**  
70x30mm  
(R: 25mm)



**S-916-902**  
70x30mm  
(R: 25mm)



**S-916-903**  
70x30mm  
(R: 25mm)



**S-916-904**  
70x30mm  
(R: 25mm)



**A-191-000-001**  
20x29mm  
(R: 14mm)



**A-191-000-002**  
20x29mm  
(R: 14mm)



**A-192-000-001**  
40x35mm  
(R: 14mm)



**A-192-000-002**  
40x35mm  
(R: 14mm)



**A-201-000-001**  
65x45mm  
(R: 22mm)



**A-201-000-002**  
65x45mm  
(R: 22mm)



**A-201-000-003**  
65x45mm  
(R: 22mm)



**A-208-000-001**  
40x35mm  
(R: 17mm)



**A-208-000-002**  
40x35mm  
(R: 17mm)



**A-208-000-003**  
40x35mm  
(R: 17mm)



**A-133-000-006**  
20x29mm  
(R: 17mm)



**A-991-000-001**  
50x20mm  
(R: 12mm)



**A-991-000-002**  
50x20mm  
(R: 12mm)



**A-991-000-003**  
50x20mm  
(R: 12mm)



**A-991-000-004**  
50x20mm  
(R: 12mm)



**A-991-000-005**  
50x20mm  
(R: 12mm)



**A-991-000-006**  
50x20mm  
(R: 12mm)



**A-991-000-007**  
50x20mm  
(R: 12mm)



**E-113-052**  
23x39mm  
(R: 29mm)



**E-113-053**  
23x39mm  
(R: 29mm)



**E-113-065**  
23x39mm  
(R: 29mm)



**E-114-052**  
33x45mm  
(R: 27mm)



**E-114-053**  
33x45mm  
(R: 27mm)



**E-114-065**  
33x45mm  
(R: 27mm)



**E-058-066**  
42x22mm  
(R: 9mm)



**E-058-067**  
42x22mm  
(R: 9mm)



**E-058-068**  
42x22mm  
(R: 9mm)



**E-058-069**  
42x22mm  
(R: 9mm)



**E-040-059**  
40x18mm  
(R: 10mm)



**E-040-060**  
40x18mm  
(R: 10mm)



**E-040-061**  
40x18mm  
(R: 10mm)



**E-057-059**  
67x21mm  
(R: 15mm)



**E-057-060**  
67x21mm  
(R: 15mm)



**E-057-061**  
67x21mm  
(R: 15mm)



**E-061-059**  
46x36mm  
(R: 8mm)



**E-061-060**  
46x36mm  
(R: 8mm)



**E-061-061**  
46x36mm  
(R: 8mm)



**10538-0210**  
20x19mm  
(R: 9mm)



**10538-0225**  
20x19mm  
(R: 9mm)



**10538-0710**  
15x16mm  
(R: 9mm)



**10538-1630**  
23x19mm  
(R: 10mm)



**10538-3330**  
25x20mm  
(R: 10mm)



**A-216-000-001**  
20x15mm  
(R: 12mm)



**A-216-000-002**  
20x15mm  
(R: 12mm)



**A-216-000-003**  
20x15mm  
(R: 12mm)



**A-216-000-004**  
20x15mm  
(R: 12mm)



**A-216-000-005**  
20x15mm  
(R: 12mm)



**A-216-000-006**  
20x15mm  
(R: 12mm)



**A-216-000-007**  
20x15mm  
(R: 12mm)



**S-262-24-000**  
21x19mm  
(R: 8mm)



**S-262-24-028**  
21x19mm  
(R: 8mm)



**S-262-24-031**  
21x19mm  
(R: 8mm)



**S-262-24-043**  
21x19mm  
(R: 8mm)



**S-262-24-044**  
21x19mm  
(R: 8mm)



**S-263-24-028**  
21x19mm  
(R: 9mm)



**S-263-24-031**  
21x19mm  
(R: 9mm)



**S-263-24-043**  
21x19mm  
(R: 9mm)



**S-263-24-044**  
21x19mm  
(R: 9mm)



**S-263-24-097**  
21x19mm  
(R: 9mm)



**S-264-24-028**  
20x18mm  
(R: 9mm)



**S-264-24-031**  
20x18mm  
(R: 9mm)



**S-264-24-043**  
20x18mm  
(R: 9mm)



**S-264-24-044**  
20x18mm  
(R: 9mm)



**S-264-24-097**  
20x18mm  
(R: 9mm)



**E-060-051**  
83x45mm  
(R: 13mm)



**E-060-052**  
83x45mm  
(R: 13mm)



**E-060-053**  
83x45mm  
(R: 13mm)



**E-112-051**  
49x30mm  
(R: 12mm)



**E-112-052**  
49x30mm  
(R: 12mm)



**E-112-053**  
49x30mm  
(R: 12mm)



**E-115-065**  
32x30mm  
(R: 14mm)



**E-115-083**  
32x30mm  
(R: 14mm)



**E-115-084**  
32x30mm  
(R: 14mm)



**E-011-090**  
20x20mm  
(R: 15mm)



**E-011-091**  
20x20mm  
(R: 15mm)



**E-011-092**  
20x20mm  
(R: 15mm)



**E-011-093**  
20x20mm  
(R: 15mm)



**E-011-094**  
20x20mm  
(R: 15mm)



**E-011-095**  
20x20mm  
(R: 15mm)



**E-011-096**  
20x20mm  
(R: 15mm)



**E-011-097**  
20x20mm  
(R: 15mm)



**E-011-098**  
20x20mm  
(R: 15mm)



**E-011-099**  
20x20mm  
(R: 15mm)



**E-011-100**  
20x20mm  
(R: 15mm)



**E-011-101**  
20x20mm  
(R: 15mm)



**E-079-090**  
42x20mm  
(R: 13mm)



**E-079-091**  
42x20mm  
(R: 13mm)



**E-079-092**  
42x20mm  
(R: 13mm)



**E-079-093**  
42x20mm  
(R: 13mm)



**E-079-094**  
42x20mm  
(R: 13mm)



**E-079-095**  
42x20mm  
(R: 13mm)



**E-079-096**  
42x20mm  
(R: 13mm)



**E-079-097**  
42x20mm  
(R: 13mm)



**E-079-098**  
42x20mm  
(R: 13mm)



**E-079-099**  
42x20mm  
(R: 13mm)



**E-079-100**  
42x20mm  
(R: 13mm)



**E-079-101**  
42x20mm  
(R: 13mm)



**E-080-090**  
22x40mm  
(R: 20mm)



**E-080-091**  
22x40mm  
(R: 20mm)



**E-080-092**  
22x40mm  
(R: 20mm)



**E-080-093**  
22x40mm  
(R: 20mm)



**E-080-094**  
22x40mm  
(R: 20mm)



**E-080-095**  
22x40mm  
(R: 20mm)



**E-080-096**  
22x40mm  
(R: 20mm)



**E-080-097**  
22x40mm  
(R: 20mm)



**E-080-098**  
22x40mm  
(R: 20mm)



**E-080-099**  
22x40mm  
(R: 20mm)



**E-080-100**  
22x40mm  
(R: 20mm)



**E-080-101**  
22x40mm  
(R: 20mm)



**E-081-090**  
26x50mm  
(R: 43mm)



**E-081-091**  
26x50mm  
(R: 43mm)



**E-081-092**  
26x50mm  
(R: 43mm)



**E-081-093**  
26x50mm  
(R: 43mm)



**E-081-094**  
26x50mm  
(R: 43mm)



**E-081-095**  
26x50mm  
(R: 43mm)



**E-081-096**  
26x50mm  
(R: 43mm)



**E-081-097**  
26x50mm  
(R: 43mm)



**E-081-098**  
26x50mm  
(R: 43mm)



**E-081-099**  
26x50mm  
(R: 43mm)



**E-081-100**  
26x50mm  
(R: 43mm)



**E-081-101**  
26x50mm  
(R: 43mm)



**E-044-090**  
35x34mm  
(H: 24mm)



**E-044-091**  
35x34mm  
(H: 24mm)



**E-044-094**  
35x34mm  
(H: 24mm)



**E-044-099**  
35x34mm  
(H: 24mm)



**E-056-058**  
25x22mm  
(R: 14mm)



**E-056-062**  
25x22mm  
(R: 14mm)



**A-194-000-001**  
40x35mm  
(R: 15mm)



**A-194-000-002**  
40x35mm  
(R: 15mm)



**A-194-000-003**  
40x35mm  
(R: 15mm)



**A-194-000-004**  
40x35mm  
(R: 15mm)



**S-034-713**  
24x20mm  
(R: 14mm)



**S-034-684**  
24x20mm  
(R: 14mm)



**S-034-705**  
24x20mm  
(R: 14mm)



**S-036-713**  
32x40mm  
(R: 30mm)



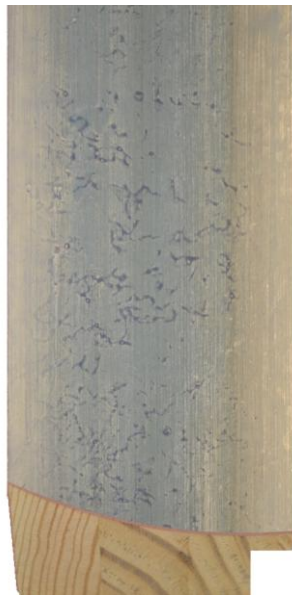
**S-036-684**  
32x40mm  
(R: 30mm)



**S-036-705**  
32x40mm  
(R: 30mm)



**SLJ-20115**  
55x28mm  
(R: 12mm)



**SLJ-20096**  
70x32mm  
(R: 13mm)



**SLJ-20097**  
70x32mm  
(R: 13mm)



**A-112-000-001**  
50x20mm  
(R: 12mm)



**A-112-000-002**  
50x20mm  
(R: 12mm)



**A-112-000-003**  
50x20mm  
(R: 12mm)



**A-112-000-004**  
50x20mm  
(R: 12mm)



**A-112-000-005**  
50x20mm  
(R: 12mm)



**SLJ-20431**  
74x34mm  
(R: 12mm)



**SLJ-20427**  
100x56mm  
(R: 17mm)



**SLJ-20430**  
100x56mm  
(R: 17mm)



**SLJ-658141**

65x65mm  
(H: 55mm)



**S-339-44-043**  
40x21mm  
(R: 14mm)



**S-339-44-044**  
40x21mm  
(R: 14mm)



**S-339-44-045**  
40x21mm  
(R: 14mm)



**S-339-44-048**  
40x21mm  
(R: 14mm)



**S-339-84-043**  
80x23mm  
(R: 14mm)



**S-339-84-044**  
80x23mm  
(R: 14mm)



**S-339-84-045**  
80x23mm  
(R: 14mm)



**S-339-84-048**  
80x23mm  
(R: 14mm)



**A-220-000-001**  
20x29mm  
(R: 20mm)



**A-220-000-002**  
20x29mm  
(R: 20mm)



**A-220-000-003**  
20x29mm  
(R: 20mm)



**A-220-000-004**  
20x29mm  
(R: 20mm)



**A-220-000-005**  
20x29mm  
(R: 20mm)



**KI-01-0788**  
41x20mm  
(R: 7mm)



**KI-01-0567**  
53x30mm  
(R: 11mm)



**KI-01-0556**  
15x15mm  
(R: 9mm)



**S-715-629**  
20x20mm  
(R: 16mm)



**A-205-000-001**  
40x35mm  
(R: 15mm)



**A-205-000-002**  
40x35mm  
(R: 15mm)



**A-205-000-003**  
40x35mm  
(R: 15mm)



**A-124-000-001**  
20x15mm  
(R: 10mm)

**A-124-000-002**  
20x15mm  
(R: 10mm)

**A-124-000-003**  
20x15mm  
(R: 10mm)

**A-124-000-004**  
20x15mm  
(R: 10mm)

**A-124-000-005**  
20x15mm  
(R: 10mm)

**A-124-000-006**  
20x15mm  
(R: 10mm)



**A-124-000-007**  
20x15mm  
(R: 10mm)

**A-124-000-008**  
20x15mm  
(R: 10mm)

**A-124-000-010**  
20x15mm  
(R: 10mm)

**A-124-000-011**  
20x15mm  
(R: 10mm)



**SLJ-140633**  
23x23mm  
(R: 15mm)



**SLJ-140639**  
23x23mm  
(R: 15mm)



**KI-01-0112**  
19x17mm  
(R: 12mm)



**KI-01-0422**  
33x15mm  
(R: 11mm)



**KI-01-0423**  
33x15mm  
(R: 11mm)



**KI-01-0428**  
33x15mm  
(R: 9mm)



**KI-01-0429**  
33x15mm  
(R: 9mm)



**KI-01-0430**  
33x15mm  
(R: 9mm)



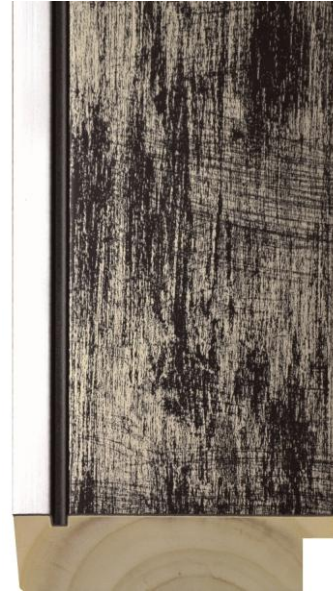
**KI-01-0431**  
33x15mm  
(R: 9mm)



**KI-01-0418**  
54x20mm  
(R: 13mm)



**KI-01-0420**  
80x22mm  
(R: 15mm)



**KI-01-0421**  
80x22mm  
(R: 15mm)



**A-153-000-007**  
20x29mm  
(R: 17mm)



**A-153-000-001**  
40x35mm  
(R: 13mm)



**A-153-000-002**  
40x35mm  
(R: 13mm)



**A-153-000-003**  
40x35mm  
(R: 13mm)



**A-153-000-004**  
40x35mm  
(R: 13mm)



**S-410-050**  
20x14mm  
(R: 10mm)

**S-410-092**  
20x14mm  
(R: 10mm)

**S-410-100**  
20x14mm  
(R: 10mm)

**S-410-132**  
20x14mm  
(R: 10mm)



**S-412-050**  
20x32mm  
(R: 28mm)

**S-412-092**  
20x32mm  
(R: 28mm)

**S-412-100**  
20x32mm  
(R: 28mm)



**KI-01-0377**  
74x30mm  
(R: 16mm)



**E-UFS125-AN2**  
33x14mm  
(R: 11mm)



**E-UFS125-BZ2**  
33x14mm  
(R: 11mm)



**E-UFS125-KT**  
33x14mm  
(R: 11mm)



**E-025-006**  
7x35mm  
spacer



**E-025-026**  
7x35mm  
spacer



**E-026-006**  
7x32mm  
spacer



**E-026-026**  
7x32mm  
spacer



**S-440-684**  
27x14mm  
(R: 10mm)



**S-440-699**  
27x14mm  
(R: 10mm)



**S-440-705**  
27x14mm  
(R: 10mm)



**S-440-713**  
27x14mm  
(R: 10mm)



**S-135-43-017**  
15x25mm  
(R: 25mm)



**S-135-43-018**  
15x25mm  
(R: 25mm)



**S-135-43-028**  
15x25mm  
(R: 25mm)



**S-135-43-105**  
15x25mm  
(R: 25mm)



**S-135-43-106**  
15x25mm  
(R: 25mm)



**S-135-43-210**  
15x25mm  
(R: 25mm)



**S-135-43-216**  
15x25mm  
(R: 25mm)



**S-135-43-220**  
15x25mm  
(R: 25mm)



**S-135-43-222**  
15x25mm  
(R: 25mm)



**S-135-43-225**  
15x25mm  
(R: 25mm)



**S-135-43-232**  
15x25mm  
(R: 25mm)



**S-135-43-233**  
15x25mm  
(R: 25mm)



**S-135-43-252**  
15x25mm  
(R: 25mm)



**S-135-43-274**  
15x25mm  
(R: 25mm)



**S-135-43-294**  
15x25mm  
(R: 25mm)



**S-135-43-299**  
15x25mm  
(R: 25mm)



**S-135-43-301**  
15x25mm  
(R: 25mm)



**S-104-43-210**  
45x35mm  
(H: 24mm)



**S-104-43-216**  
45x35mm  
(H: 24mm)



**S-104-43-220**  
45x35mm  
(H: 24mm)



**S-104-43-222**  
45x35mm  
(H: 24mm)



**S-104-43-225**  
45x35mm  
(H: 24mm)



**S-104-43-232**  
45x35mm  
(H: 24mm)



**S-104-43-252**  
45x35mm  
(H: 24mm)



**S-104-43-274**  
45x35mm  
(H: 24mm)



**S-104-43-294**  
45x35mm  
(H: 24mm)



**S-104-43-299**  
45x35mm  
(H: 24mm)



**S-327-53-028**  
49x20mm  
(R: 14mm)



**S-327-53-031**  
49x20mm  
(R: 14mm)



**S-327-53-105**  
49x20mm  
(R: 14mm)



**S-327-53-301**  
49x20mm  
(R: 14mm)



**S-441-23-000**  
12x22mm  
(R: 12mm)



**S-441-23-001**  
12x22mm  
(R: 12mm)



**S-441-23-002**  
12x22mm  
(R: 12mm)



**S-441-23-003**  
12x22mm  
(R: 12mm)



**S-441-23-004**  
12x22mm  
(R: 12mm)



**S-441-23-005**  
12x22mm  
(R: 12mm)



**S-441-23-006**  
12x22mm  
(R: 12mm)



**S-441-23-009**  
12x22mm  
(R: 12mm)



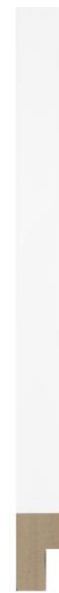
**S-441-23-043**  
12x22mm  
(R: 12mm)



**S-441-23-044**  
12x22mm  
(R: 12mm)



**S-441-23-045**  
12x22mm  
(R: 12mm)



**S-441-23-048**  
12x22mm  
(R: 12mm)



**S-441-23-093**  
12x22mm  
(R: 12mm)



**S-441-23-094**  
12x22mm  
(R: 12mm)



**S-441-23-095**  
12x22mm  
(R: 12mm)



**S-441-23-096**  
12x22mm  
(R: 12mm)



**S-441-23-103**  
12x22mm  
(R: 12mm)



**S-441-23-204**  
12x22mm  
(R: 12mm)



**S-441-23-210**  
12x22mm  
(R: 12mm)



**S-441-23-211**  
12x22mm  
(R: 12mm)



**S-441-23-212**  
12x22mm  
(R: 12mm)



**S-441-23-216**  
12x22mm  
(R: 12mm)



**S-441-23-222**  
12x22mm  
(R: 12mm)



**S-441-23-225**  
12x22mm  
(R: 12mm)



**S-441-23-232**  
12x22mm  
(R: 12mm)



**S-441-23-252**  
12x22mm  
(R: 12mm)



**S-441-23-274**  
12x22mm  
(R: 12mm)



**S-441-23-298**  
12x22mm  
(R: 12mm)



**S-441-23-311**  
12x22mm  
(R: 12mm)



**S-225-335**  
20x20mm  
(R: 9mm)



**S-176-54-097**  
28x25mm  
(R: 12mm)



**S-176-54-098**  
28x25mm  
(R: 12mm)



**S-176-54-099**  
28x25mm  
(R: 12mm)



**S-176-54-100**  
28x25mm  
(R: 12mm)



**S-176-54-016**  
28x25mm  
(R: 12mm)



**S-176-54-046**  
28x25mm  
(R: 12mm)



**S-176-54-047**  
28x25mm  
(R: 12mm)



**S-176-54-050**  
28x25mm  
(R: 12mm)



**S-176-54-051**  
28x25mm  
(R: 12mm)



**S-176-54-053**  
28x25mm  
(R: 12mm)



**S-176-54-416**  
28x25mm  
(R: 12mm)



**S-176-54-446**  
28x25mm  
(R: 12mm)



**S-176-54-447**  
28x25mm  
(R: 12mm)



**S-176-54-450**  
28x25mm  
(R: 12mm)



**S-176-54-451**  
28x25mm  
(R: 12mm)



**S-176-54-453**  
28x25mm  
(R: 12mm)



**SLJ-367194**

45x32mm  
(R: 16mm)



**SLJ-3856**  
30x26mm  
(R: 10mm)



**SLJ-3117**  
35x18mm  
(R: 10mm)



**SLJ-3858**  
72x30mm  
(R: 12mm)



**SLJ-6608**  
63x44mm  
(R: 14mm)



**S-320-050**  
20x14mm  
(R: 8mm)



**S-320-100**  
20x14mm  
(R: 8mm)



**S-320-141**  
20x14mm  
(R: 8mm)



**S-320-582**  
20x14mm  
(R: 8mm)



**S-321-050**  
36x20mm  
(R: 10mm)



**S-321-100**  
36x20mm  
(R: 10mm)



**S-321-141**  
36x20mm  
(R: 10mm)



**S-321-582**  
36x20mm  
(R: 10mm)



**S-401-23-095**  
21x20mm  
(R: 12mm)



**S-401-23-096**  
21x20mm  
(R: 12mm)



**S-401-23-097**  
21x20mm  
(R: 12mm)



**S-401-23-098**  
21x20mm  
(R: 12mm)



**S-401-23-099**  
21x20mm  
(R: 12mm)



**S-401-23-100**  
21x20mm  
(R: 12mm)



**A-145-000-001**

15x30mm  
(R: 15mm)



**A-145-000-002**

15x30mm  
(R: 15mm)



**A-145-000-003**

15x30mm  
(R: 15mm)



**A-145-000-004**

15x30mm  
(R: 15mm)



**A-145-000-005**

15x30mm  
(R: 15mm)



**A-145-000-006**

15x30mm  
(R: 15mm)



**A-145-000-007**

15x30mm  
(R: 15mm)



**A-145-000-008**

15x30mm  
(R: 15mm)



**A-145-000-009**

15x30mm  
(R: 15mm)



**S-013-129**  
81x23mm  
(R: 10mm)



**S-013-102**  
81x23mm  
(R: 10mm)



**S-013-103**  
81x23mm  
(R: 10mm)



**E-KV051-AB**  
16x14mm  
(R: 9mm)



**E-KV051-AH**  
16x14mm  
(R: 9mm)



**E-KV051-BRI**  
16x14mm  
(R: 9mm)



**E-KV051-GO**  
16x14mm  
(R: 9mm)



**E-KV051-VN**  
16x14mm  
(R: 9mm)



**E-KV484-AH**  
25x15mm  
(R: 8mm)



**E-KV484-BRI**  
25x15mm  
(R: 8mm)



**E-KV484-GI**  
25x15mm  
(R: 8mm)



**E-KV484-GO**  
25x15mm  
(R: 8mm)



**E-KV484-VN**  
25x15mm  
(R: 8mm)



**E-KV071-AB**  
20x20mm  
(R: 15mm)

**E-KV071-AH**  
20x20mm  
(R: 15mm)

**E-KV071-BRI**  
20x20mm  
(R: 15mm)

**E-KV071-GO**  
20x20mm  
(R: 15mm)

**E-KV071-VN**  
20x20mm  
(R: 15mm)



**E-KV784-AB**  
30x20mm  
(R: 13mm)

**E-KV784-AH**  
30x20mm  
(R: 13mm)

**E-KV784-BRI**  
30x20mm  
(R: 13mm)

**E-KV784-GI**  
30x20mm  
(R: 13mm)

**E-KV784-GO**  
30x20mm  
(R: 13mm)

**E-KV784-VN**  
30x20mm  
(R: 13mm)



**E-KV6252-AB**  
42x18mm  
(R: 11mm)



**E-KV6252-AH**  
42x18mm  
(R: 11mm)



**E-KV6252-BRI**  
42x18mm  
(R: 11mm)



**E-KV6252-GI**  
42x18mm  
(R: 11mm)



**E-KV6252-GO**  
42x18mm  
(R: 11mm)



**E-KV6252-VN**  
42x18mm  
(R: 11mm)



**E-KV1009-AB**  
20x41mm  
(R: 35mm)



**E-KV1009-GI**  
20x41mm  
(R: 35mm)



**E-KV1009-GO**  
20x41mm  
(R: 35mm)



**E-KV1009-VN**  
20x41mm  
(R: 35mm)



**SLJ-235254**  
20x22mm  
(R: 13mm)



**A-176-000-001**  
20x29mm  
(R: 15mm)



**A-176-000-002**  
20x29mm  
(R: 15mm)



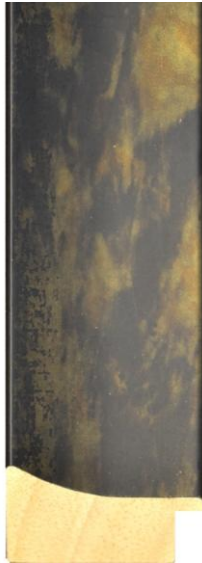
**A-176-000-003**  
20x29mm  
(R: 15mm)



**A-176-000-004**  
20x29mm  
(R: 15mm)



**A-176-000-005**  
20x29mm  
(R: 15mm)



**SLJ-457906**  
45x26mm  
(R: 13mm)



**S-4518-002**  
22x19mm  
(R: 9mm)



**S-4518-014**  
22x19mm  
(R: 9mm)



**S-4518-025**  
22x19mm  
(R: 9mm)



**S-4518-901**  
22x19mm  
(R: 9mm)



**S-4518-902**  
22x19mm  
(R: 9mm)



**SLJ-20421**  
88x78mm  
(H: 30/60mm)



**SLJ-20422**  
88x78mm  
(H: 30/60mm)



**A-140-000-001**  
40x20mm  
(R: 16mm)



**A-140-000-002**  
40x20mm  
(R: 16mm)



**A-140-000-003**  
40x20mm  
(R: 16mm)



**A-140-000-004**  
40x20mm  
(R: 16mm)



**A-140-000-005**  
40x20mm  
(R: 16mm)



**KI-01-0602**  
20x13mm  
(R: 9mm)



**KI-01-0606**  
20x13mm  
(R: 9mm)



**KI-01-0622**  
20x30mm  
(R: 23mm)



**KI-01-0642**  
47x23mm  
(R: 18mm)



**KI-01-0646**  
47x23mm  
(R: 18mm)



**A-152-000-001**  
30x29mm  
(R: 16mm)



**A-152-000-002**  
30x29mm  
(R: 16mm)



**A-152-000-003**  
30x29mm  
(R: 16mm)



**A-152-000-004**  
30x29mm  
(R: 16mm)



**A-197-000-001**  
15x30mm  
(R: 15mm)



**A-197-000-002**  
15x30mm  
(R: 15mm)



**A-197-000-003**  
15x30mm  
(R: 15mm)



**A-197-000-004**  
15x30mm  
(R: 15mm)



**A-180-000-001**  
20x29mm  
(R: 15mm)



**A-180-000-002**  
20x29mm  
(R: 15mm)



**A-180-000-003**  
20x29mm  
(R: 15mm)



**A-180-000-004**  
20x29mm  
(R: 15mm)



**E-050-048**  
30x25mm  
(R: 19mm)



**A-221-000-001**  
65x35mm  
(R: 17mm)



**A-221-000-002**  
65x35mm  
(R: 17mm)



**A-221-000-003**  
65x35mm  
(R: 17mm)



**A-221-000-004**  
65x35mm  
(R: 17mm)



**A-196-000-001**  
20x15mm  
(R: 12mm)



**A-196-000-002**  
20x15mm  
(R: 12mm)



**A-196-000-003**  
20x15mm  
(R: 12mm)



**A-196-000-004**  
20x15mm  
(R: 12mm)



**A-196-000-005**  
20x15mm  
(R: 12mm)



**A-196-000-006**  
20x15mm  
(R: 12mm)



**A-196-000-007**  
20x15mm  
(R: 12mm)



**E-UF071-HSY2**   **E-UF071-NSY2**   **E-UF071-TSY2**  
20x20mm   20x20mm   20x20mm  
(R: 15mm)   (R: 15mm)   (R: 15mm)



**E-U2871-HSY2H**   **E-U2871-KSY2H**   **E-U2871-NSY2H**   **E-U2871-TSY2H**  
38x22mm   38x22mm   38x22mm   38x22mm  
(R: 12mm)   (R: 12mm)   (R: 12mm)   (R: 12mm)



**E-U287-HSY2H**  
60x22mm  
(R: 9mm)



**E-U287-KSY2H**  
60x22mm  
(R: 9mm)



**E-U287-NSY2H**  
60x22mm  
(R: 9mm)



**E-U287-TSY2H**  
60x22mm  
(R: 9mm)



**A-162-000-005**  
40x35mm  
(R: 15mm)



**A-162-000-006**  
40x35mm  
(R: 15mm)



**A-162-000-007**  
29x26mm  
(R: 15mm)



**A-162-000-008**  
29x26mm  
(R: 15mm)



**A-189-000-001**  
20x35mm  
(R: 30mm)



**A-189-000-002**  
20x35mm  
(R: 30mm)



**A-190-000-001**  
30x30mm  
(R: 25mm)



**A-190-000-002**  
30x30mm  
(R: 25mm)



**S-999-800**  
63x57mm  
(R: 29mm)



**S-999-801**  
63x30mm  
(R: 15mm)



**S-999-802**  
34x43mm  
(R: 25mm)



**S-1316-515**  
13x16mm  
(R: 11mm)



**S-1316-516**  
13x16mm  
(R: 11mm)



**S-2032-515**  
20x32mm  
(R :26mm)



**S-2032-516**  
20x32mm  
(R: 26mm)



**S-2045-515**  
20x45mm  
(R: 39mm)



**S-2045-516**  
20x45mm  
(R: 39mm)



**S-440-23-000**  
12x24mm  
(R: 9mm)



**S-440-23-001**  
12x24mm  
(R: 9mm)



**S-440-23-002**  
12x24mm  
(R: 9mm)



**S-440-23-009**  
12x24mm  
(R: 9mm)



**S-440-23-028**  
12x24mm  
(R: 9mm)



**S-440-23-031**  
12x24mm  
(R: 9mm)



**S-440-23-093**  
12x24mm  
(R: 9mm)



**S-440-23-094**  
12x24mm  
(R: 9mm)



**S-440-23-095**  
12x24mm  
(R: 9mm)



**S-440-23-096**  
12x24mm  
(R: 9mm)



**S-440-23-103**  
12x24mm  
(R: 9mm)



**S-440-23-105**  
12x24mm  
(R: 9mm)



**S-440-23-301**  
12x24mm  
(R: 9mm)



**SLJ-379250**  
43X20mm  
(R: 14mm)



**SLJ-379260**  
43X20mm  
(R: 14mm)



**S-360-83-000**  
40x28mm  
(R: 10mm)



**S-360-83-009**  
40x28mm  
(R: 10mm)



**S-360-84-091**  
40x28mm  
(R: 10mm)



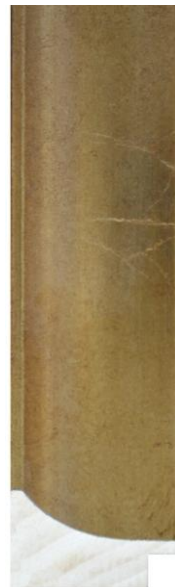
**S-360-84-092**  
40x28mm  
(R: 10mm)



**S-360-84-095**  
40x28mm  
(R: 10mm)



**S-360-84-096**  
40x28mm  
(R: 10mm)



**S-360-84-097**  
40x28mm  
(R: 10mm)



**S-360-84-098**  
40x28mm  
(R: 10mm)



**S-370-73-000**  
68x45mm  
(R: 16mm)



**S-370-73-009**  
68x45mm  
(R: 16mm)



**S-370-74-091**  
68x45mm  
(R: 16mm)



**S-370-74-092**  
68x45mm  
(R: 16mm)



**S-370-74-095**  
68x45mm  
(R: 16mm)



**S-370-74-096**  
68x45mm  
(R: 16mm)



**S-370-74-097**  
68x45mm  
(R: 16mm)



**S-370-74-098**  
68x45mm  
(R: 16mm)



**SLJ-224969**  
19x22mm  
(R: 12mm)



**SLJ-3742**  
31x23mm  
(R: 10mm)



**SLJ-3216**  
26X20mm  
(R: 10mm)



**A-997-000-002**  
40x24mm  
(R: 12mm)



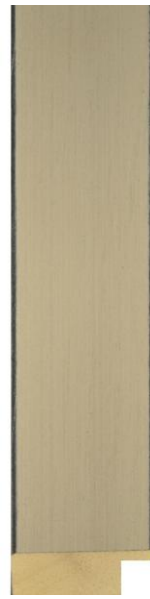
**A-997-000-004**  
40x24mm  
(R: 12mm)



**SLJ-20387**  
35x14mm  
(R: 10mm)



**SLJ-20390**  
35x14mm  
(R: 10mm)



**SLJ-20392**  
35x14mm  
(R: 10mm)



**SLJ-20394**  
35x14mm  
(R: 10mm)



**SLJ-20400**  
40x35mm  
(R: 25mm)



**SLJ-20403**  
40x35mm  
(R: 25mm)



**SLJ-20413**  
41x34mm  
(H: 24mm)



**A-143-000-001**  
40x35mm  
(R: 13mm)



**A-143-000-002**  
40x35mm  
(R: 13mm)



**A-143-000-003**  
40x35mm  
(R: 13mm)



**A-143-000-004**  
40x35mm  
(R: 13mm)



**A-144-000-001**  
20x29mm  
(R: 16mm)



**A-144-000-002**  
20x29mm  
(R: 16mm)



**A-144-000-003**  
20x29mm  
(R: 16mm)



**A-144-000-004**  
20x29mm  
(R: 16mm)



**S-058-001**  
20x32mm  
(R: 10mm)



**S-058-002**  
20x32mm  
(R: 10mm)



**S-058-003**  
20x32mm  
(R: 10mm)



**S-058-004**  
20x32mm  
(R: 10mm)



**S-058-006**  
20x32mm  
(R: 10mm)



**S-058-007**  
20x32mm  
(R: 10mm)



**S-058-009**  
20x32mm  
(R: 10mm)



**S-058-010**  
20x32mm  
(R: 10mm)



**S-058-012**  
20x32mm  
(R: 10mm)



**S-059-001**  
30x49mm  
(R: 15mm)



**S-059-002**  
30x49mm  
(R: 15mm)



**S-059-003**  
30x49mm  
(R: 15mm)



**S-059-004**  
30x49mm  
(R: 15mm)



**S-059-005**  
30x49mm  
(R: 15mm)



**S-059-007**  
30x49mm  
(R: 15mm)



**S-059-009**  
30x49mm  
(R: 15mm)



**S-059-012**  
30x49mm  
(R: 15mm)



**SLJ-3843**  
60x24mm  
(R: 14mm)



**SLJ-3844**  
60x24mm  
(R: 14mm)



**SLJ-3846**  
100x33mm  
(R: 23mm)



**SLJ-3849**  
100x33mm  
(R: 23mm)



**E-069-052**  
20x25mm  
(R: 15mm)



**E-069-053**  
20x25mm  
(R: 15mm)



**E-076-052**  
30x24mm  
(R: 9mm)



**E-076-053**  
30x24mm  
(R: 9mm)



**E-077-052**  
44x27mm  
(R: 10mm)



**E-077-053**  
44x27mm  
(R: 10mm)



**E-062-052**  
97x49mm  
(R: 15mm)



**E-062-053**  
97x49mm  
(R: 15mm)



**E-104-052**  
24x15mm  
(R: 7mm)



**E-104-053**  
24x15mm  
(R: 7mm)



**E-104-065**  
24x15mm  
(R: 7mm)



**E-105-052**  
20x20mm  
(R: 9mm)



**E-105-053**  
20x20mm  
(R: 10mm)



**E-105-065**  
20x20mm  
(R: 10mm)



**E-106-052**  
36x24mm  
(R: 11mm)



**E-106-053**  
36x24mm  
(R: 11mm)



**E-106-065**  
36x24mm  
(R: 11mm)



**E-107-052**  
34x26mm  
(R: 9mm)



**E-107-053**  
34x26mm  
(R: 10mm)



**E-107-065**  
34x26mm  
(R: 10mm)



**S-999-204**  
30x22mm  
(R: 10mm)



**S-999-205**  
30x22mm  
(R: 10mm)



**S-999-206**  
30x22mm  
(R: 10mm)



**S-999-303**  
48x24mm  
(R: 14mm)



**S-999-304**  
48x24mm  
(R: 14mm)



**S-999-305**  
48x24mm  
(R: 14mm)



**S-999-306**  
48x24mm  
(R: 14mm)



**A-195-000-001**  
15x20mm  
(R: 15mm)



**A-195-000-002**  
15x20mm  
(R: 15mm)



**A-195-000-003**  
15x20mm  
(R: 15mm)



**A-195-000-004**  
15x20mm  
(R: 15mm)



**A-195-000-005**  
15x20mm  
(R: 15mm)



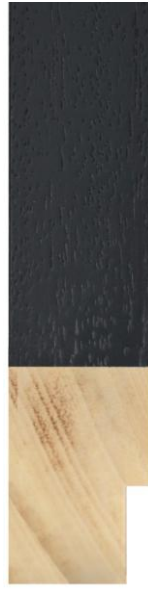
**A-195-000-006**  
15x20mm  
(R: 15mm)



**S-041-83-000**  
33x58mm  
(R: 28mm)



**S-041-83-001**  
33x58mm  
(R: 28mm)



**S-041-83-002**  
33x58mm  
(R: 28mm)



**S-041-83-009**  
33x58mm  
(R: 28mm)



**S-041-83-103**  
33x58mm  
(R: 28mm)



**E-007-016**  
30x20mm  
(R : 13mm)



**E-007-017**  
30x20mm  
(R : 13mm)



**A-131-000-001**  
47x33mm  
(R: 12mm)



**A-131-000-002**  
47x33mm  
(R: 12mm)



**A-131-000-003**  
47x33mm  
(R: 12mm)



**A-131-000-004**  
47x33mm  
(R: 12mm)



**A-131-000-005**  
47x33mm  
(R: 12mm)



**S-012-002**  
32x20mm  
(R: 16mm)



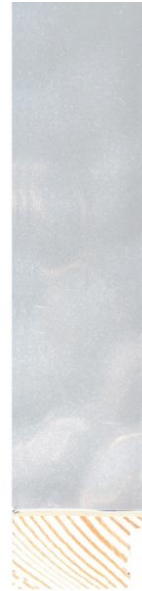
**S-012-004**  
32x20mm  
(R: 16mm)



**S-012-005**  
32x20mm  
(R: 16mm)



**S-012-470**  
32x20mm  
(R: 16mm)



**S-012-622**  
32x20mm  
(R: 16mm)



**S-009-002**  
20x20mm  
(R: 17mm)



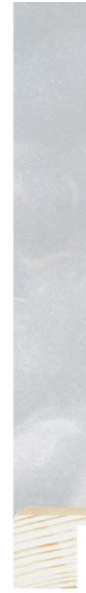
**S-009-004**  
20x20mm  
(R: 17mm)



**S-009-005**  
20x20mm  
(R: 17mm)



**S-009-470**  
20x20mm  
(R: 17mm)



**S-009-622**  
20x20mm  
(R: 17mm)



**E-100-070**  
85x35mm  
(R :14mm)



**E-100-071**  
85x35mm  
(R :14mm)



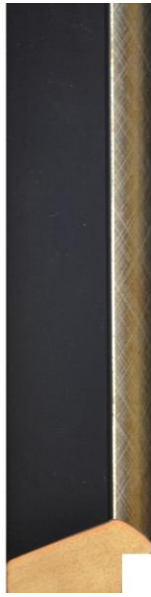
**SLJ-N4442-3430**  
20x14mm  
(R: 10mm)



**SLJ-N4444-3430**  
30x14mm  
(R: 10mm)



**E-F1403-KXK**  
38x23mm  
(R: 13mm)



**E-F1403-KXN**  
38x23mm  
(R: 13mm)



**E-F1413-KXK**  
48x23mm  
(R: 13mm)



**E-F1413-KXN**  
48x23mm  
(R: 13mm)



**E-F1423-KXK**  
65x29mm  
(R: 16mm)



**E-F1423-KXN**  
65x29mm  
(R: 16mm)



**S-3535-311**  
35x35mm  
(H: 25mm)



**S-3535-312**  
35x35mm  
(H: 25mm)



**S-3535-313**  
35x35mm  
(H: 25mm)



**S-3535-314**  
35x35mm  
(H: 25mm)



**S-3535-315**  
35x35mm  
(H: 25mm)



**S-3535-601**  
35x35mm  
(H: 25mm)



**S-3535-602**  
35x35mm  
(H: 25mm)



**S-3535-605**  
35x35mm  
(H: 25mm)



**S-4555-602**  
45x55mm  
(H: 45mm)



**S-4555-603**  
45x55mm  
(H: 45mm)



**S-040-53-000**  
17x50mm  
(R: 20mm)



**S-040-53-009**  
17x50mm  
(R: 20mm)



**S-040-53-028**  
17x50mm  
(R: 20mm)



**S-040-53-032**  
17x50mm  
(R: 20mm)



**S-040-53-045**  
17x50mm  
(R: 20mm)



**S-040-53-048**  
17x50mm  
(R: 20mm)



**S-040-53-076**  
17x50mm  
(R: 20mm)



**S-040-53-093**  
17x50mm  
(R: 20mm)



**S-040-53-094**  
17x50mm  
(R: 20mm)



**S-040-53-095**  
17x50mm  
(R: 20mm)



**S-040-53-096**  
17x50mm  
(R: 20mm)



**S-040-53-105**  
17x50mm  
(R: 20mm)



**S-040-53-301**  
17x50mm  
(R: 20mm)



**A-134-000-001**  
23x32mm  
(R: 14mm)



**A-134-000-004**  
23x32mm  
(R: 14mm)



**A-134-000-007**  
23x32mm  
(R: 14mm)



**A-184-000-001**  
50x20mm  
(R: 14mm)



**A-184-000-002**  
50x20mm  
(R: 14mm)



**A-184-000-003**  
50x20mm  
(R: 14mm)



**A-184-000-004**  
50x20mm  
(R: 14mm)



**A-185-000-001**  
29x33mm  
(R: 18mm)



**A-185-000-002**  
29x33mm  
(R: 18mm)



**A-186-000-001**  
29x33mm  
(R: 18mm)



**A-186-000-002**  
29x33mm  
(R: 18mm)



**S-412-106**  
25x24mm  
(R: 11mm)



**S-412-107**  
25x24mm  
(R: 11mm)



**S-412-108**  
25x24mm  
(R: 11mm)



**S-412-109**  
25x24mm  
(R: 11mm)



**S-412-111**  
25x24mm  
(R: 11mm)



**S-411-106**  
35x35mm  
(R: 20mm)



**S-411-107**  
35x35mm  
(R: 20mm)



**S-411-108**  
35x35mm  
(R: 20mm)



**S-411-109**  
35x35mm  
(R: 20mm)



**S-411-111**  
35x35mm  
(R: 20mm)



**S-410-106**  
45x30mm  
(R: 11mm)



**S-410-107**  
45x30mm  
(R: 11mm)



**S-410-108**  
45x30mm  
(R: 11mm)



**S-410-109**  
45x30mm  
(R: 11mm)



**A-209-000-001**  
20x15mm  
(R: 12mm)



**A-209-000-002**  
20x15mm  
(R: 12mm)



**A-209-000-003**  
20x15mm  
(R: 12mm)



**A-209-000-004**  
20x15mm  
(R: 12mm)



**A-209-000-005**  
20x15mm  
(R: 12mm)



**A-209-000-006**  
20x15mm  
(R: 12mm)



**A-209-000-007**  
20x15mm  
(R: 12mm)



**A-209-000-008**  
20x15mm  
(R: 12mm)



**SLJ-3325**  
27x18mm  
(R: 10mm)



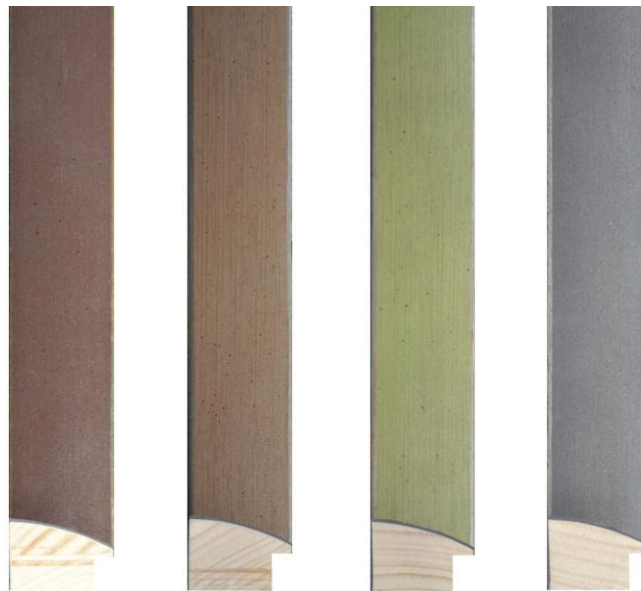
**S-678-002**  
25x20mm  
(R: 10mm)

**S-678-005**  
25x20mm  
(R: 10mm)

**S-678-006**  
25x20mm  
(R: 10mm)

**S-678-007**  
25x20mm  
(R: 10mm)

**S-678-010**  
25x20mm  
(R: 10mm)



**S-678-013**  
25x20mm  
(R: 10mm)

**S-678-014**  
25x20mm  
(R: 10mm)

**S-678-035**  
25x20mm  
(R: 10mm)

**S-678-039**  
25x20mm  
(R: 10mm)



**A-222-000-001**  
15x25mm  
(R: 15mm)



**A-222-000-002**  
15x25mm  
(R: 15mm)



**A-222-000-003**  
15x25mm  
(R: 15mm)



**A-222-000-004**  
15x25mm  
(R: 15mm)



**A-222-000-005**  
15x25mm  
(R: 15mm)



**A-222-000-006**  
15x25mm  
(R: 15mm)



**A-155-000-007**  
29x33mm  
(R: 12mm)



**A-155-000-009**  
29x33mm  
(R: 12mm)



**A-155-000-010**  
29x33mm  
(R: 12mm)



**S-000-054**  
44x33mm  
(R: 14mm)



**S-000-063**  
44x33mm  
(R: 14mm)



**S-272-44-043**  
40x33mm  
(R: 20mm)



**S-272-44-044**  
40x33mm  
(R: 20mm)



**S-272-44-073**  
40x33mm  
(R: 20mm)



**A-188-000-001**  
22x25mm  
(R: 14mm)



**A-188-000-002**  
22x25mm  
(R: 14mm)



**A-188-000-003**  
22x25mm  
(R: 14mm)



**A-135-000-001**  
22x25mm  
(R: 15mm)



**A-135-000-002**  
22x25mm  
(R: 15mm)



**A-135-000-003**  
22x25mm  
(R: 15mm)



**A-135-000-004**  
22x25mm  
(R: 15mm)



**A-135-000-005**  
22x25mm  
(R: 15mm)



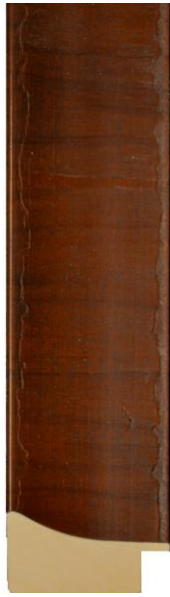
**A-135-000-006**  
22x25mm  
(R: 15mm)



**A-135-000-007**  
22x25mm  
(R: 15mm)



**A-107-000-001**  
40x24mm  
(R: 12mm)



**A-107-000-002**  
40x24mm  
(R: 12mm)



**A-107-000-003**  
40x24mm  
(R: 12mm)



**A-107-000-004**  
40x24mm  
(R: 12mm)



**A-107-000-005**  
40x24mm  
(R: 12mm)



**A-107-000-006**  
40x24mm  
(R: 12mm)



**A-107-000-007**  
40x24mm  
(R: 12mm)



**A-122-000-003**  
23x15mm  
(R: 10mm)



**A-122-000-006**  
23x15mm  
(R: 10mm)



**10580-01**  
20x13mm  
(R: 8mm)



**10580-02**  
20x13mm  
(R: 8mm)



**10580-03**  
20x13mm  
(R: 8mm)



**10580-04**  
20x13mm  
(R: 8mm)



**10580-05**  
20x13mm  
(R: 8mm)



**10580-06**  
20x13mm  
(R: 8mm)



**10580-07**  
20x13mm  
(R: 8mm)



**10580-08**  
20x13mm  
(R: 8mm)



**10580-09**  
20x13mm  
(R: 8mm)



**10580-10**  
20x13mm  
(R: 8mm)



**10580-11**  
20x13mm  
(R: 8mm)



**10580-12**  
20x13mm  
(R: 8mm)



**10580-13**  
20x13mm  
(R: 8mm)



**10580-14**  
20x13mm  
(R: 8mm)



**10581-01**  
40x15mm  
(R: 10mm)



**10581-02**  
40x15mm  
(R: 10mm)



**10581-03**  
40x15mm  
(R: 10mm)



**10581-04**  
40x15mm  
(R: 10mm)



**10581-05**  
40x15mm  
(R: 10mm)



**10581-06**  
40x15mm  
(R: 10mm)



**10581-07**  
40x15mm  
(R: 10mm)



**10581-08**  
40x15mm  
(R: 10mm)



**10581-09**  
40x15mm  
(R: 10mm)



**10581-10**  
40x15mm  
(R: 10mm)



**10581-11**  
40x15mm  
(R: 10mm)



**10581-12**  
40x15mm  
(R: 10mm)



**10581-13**  
40x15mm  
(R: 10mm)



**10581-14**  
40x15mm  
(R: 10mm)



**10582-01**  
20x30mm  
(R: 25mm)



**10582-02**  
20x30mm  
(R: 25mm)



**10582-03**  
20x30mm  
(R: 25mm)



**10582-04**  
20x30mm  
(R: 25mm)



**10582-05**  
20x30mm  
(R: 25mm)



**10582-06**  
20x30mm  
(R: 25mm)-



**10582-07**  
20x30mm  
(R: 25mm)



**10582-08**  
20x30mm  
(R: 25mm)



**10582-09**  
20x30mm  
(R: 25mm)



**10582-10**  
20x30mm  
(R: 25mm)



**10582-11**  
20x30mm  
(R: 25mm)



**10582-12**  
20x30mm  
(R: 25mm)



**10582-13**  
20x30mm  
(R: 25mm)



**10582-14**  
20x30mm  
(R: 25mm)



**S-107-64-093**  
20x32mm  
(R: 27mm)



**S-107-64-094**  
20x32mm  
(R: 27mm)



**S-107-64-095**  
20x32mm  
(R: 27mm)



**S-107-64-096**  
20x32mm  
(R: 27mm)



**S-107-64-097**  
20x32mm  
(R: 27mm)



**S-107-64-098**  
20x32mm  
(R: 27mm)



**S-135-84-093**  
20x45mm  
(R: 40mm)



**S-135-84-094**  
20x45mm  
(R: 40mm)



**S-135-84-095**  
20x45mm  
(R: 40mm)



**S-135-84-096**  
20x45mm  
(R: 40mm)



**S-135-84-097**  
20x45mm  
(R: 40mm)



**S-135-84-098**  
20x45mm  
(R: 40mm)



**S-330-64-093**  
30x25mm  
(R: 20mm)



**S-330-64-094**  
30x25mm  
(R: 20mm)



**S-330-64-095**  
30x25mm  
(R: 20mm)



**S-330-64-096**  
30x25mm  
(R: 20mm)



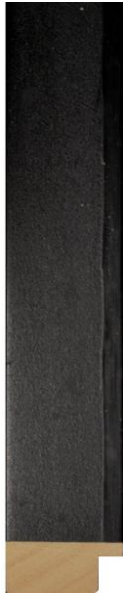
**S-330-64-097**  
30x25mm  
(R: 20mm)



**S-330-64-098**  
30x25mm  
(R: 20mm)



**SLJ-3697**  
35x20mm  
(R: 8mm)



**A-996-000-001**  
30x15mm  
(R: 10mm)



**A-996-000-002**  
30x15mm  
(R: 10mm)



**A-996-000-003**  
30x15mm  
(R: 10mm)



**A-996-000-004**  
30x15mm  
(R: 10mm)



**A-990-000-001**  
40x20mm  
(R: 15mm)



**A-990-000-002**  
40x20mm  
(R: 15mm)



**A-990-000-003**  
40x20mm  
(R: 15mm)



**A-990-000-004**  
40x20mm  
(R: 15mm)



**A-990-000-005**  
40x20mm  
(R: 15mm)



**A-990-000-006**  
40x20mm  
(R: 15mm)



**A-994-000-001**  
20x15mm  
(R: 10mm)



**A-994-000-002**  
20x15mm  
(R: 10mm)



**A-994-000-003**  
20x15mm  
(R: 10mm)



**A-994-000-004**  
20x15mm  
(R: 10mm)



**A-994-000-005**  
20x15mm  
(R: 10mm)



**A-994-000-006**  
20x15mm  
(R: 10mm)



**E-P6272-SLXH**  
22x22mm  
(R: 15mm)



**E-P784-SLXH**  
30x20mm  
(R: 13mm)



**E-P626-SLXH**  
23x30mm  
(R: 27mm)



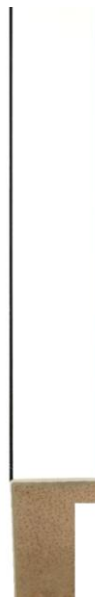
**E-P1009-SLXH**  
20x41mm  
(R: 35mm)



**E-005-007**  
f22x22mm  
(R: 15mm)



**E-007-007**  
30x20mm  
(R: 13mm)



**E-004-007**  
23x30mm  
(R: 27mm)



**E-003-007**  
20x41mm  
(R: 35mm)



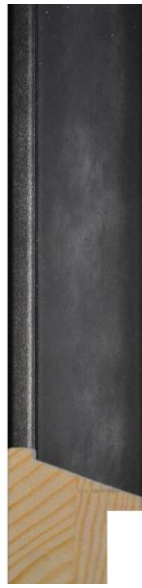
**A-159-000-001**  
40x20mm  
(R: 16mm)



**A-159-000-003**  
40x20mm  
(R: 16mm)



**A-159-000-004**  
40x20mm  
(R: 16mm)



**S-402-101**

31x35mm  
(R: 19mm)



**S-402-104**

31x35mm  
(R: 19mm)



**S-402-105**

31x35mm  
(R: 19mm)



**S-403-101**

23x24mm  
(R: 10mm)



**S-403-104**

23x24mm  
(R: 10mm)



**S-403-105**

23x24mm  
(R: 10mm)



**S-451-335**  
20x18mm  
(R: 6mm)

**S-451-354**  
20x18mm  
(R: 6mm)

**S-452-335**  
30x25mm  
(R: 9mm)

**S-452-487**  
30x25mm  
(R: 9mm)

**S-452-307**  
30x25mm  
(R: 9mm)

**S-452-354**  
30x25mm  
(R: 9mm)



**S-453-335**  
52x35mm  
(R: 12mm)

**S-453-487**  
52x35mm  
(R: 12mm)

**S-453-307**  
52x35mm  
(R: 12mm)

**S-453-354**  
52x35mm  
(R: 12mm)



**E-022-012**  
5x25mm  
spacer



**E-022-019**  
5x25mm  
spacer



**E-022-020**  
5x25mm  
spacer



**E-022-021**  
5x25mm  
spacer



**A-213-000-001**  
30x20mm  
(R: 15mm)



**A-213-000-002**  
30x20mm  
(R: 15mm)



**A-213-000-003**  
30x20mm  
(R: 15mm)



**A-213-000-004**  
30x20mm  
(R: 15mm)



**A-213-000-005**  
30x20mm  
(R: 15mm)



**A-213-000-006**  
30x20mm  
(R: 15mm)



**KI-01-0392**  
28x34mm  
(R: mm)



**KI-01-0398**  
35x18mm  
(R: mm)



**S-024-54-009**  
53x20mm  
(R: 11mm)



**S-024-54-014**  
53x20mm  
(R: 11mm)



**S-024-54-043**  
53x20mm  
(R: 11mm)



**S-024-54-044**  
53x20mm  
(R: 11mm)



**S-024-54-050**  
53x20mm  
(R: 11mm)



**S-024-54-058**  
53x20mm  
(R: 11mm)



**KI-01-0481**  
31x31mm  
(R: 17mm)



**KI-01-0480**  
30x16mm  
(R: 10mm)



**SLJ-3598**  
40x23mm  
(R: 15mm)



**SLJ-3600**  
40x23mm  
(R: 15mm)



**A-139-000-001**  
50x28mm  
(R: 17mm)



**A-139-000-002**  
50x28mm  
(R: 17mm)



**A-139-000-003**  
50x28mm  
(R: 17mm)



**A-139-000-004**  
50x28mm  
(R: 17mm)



**A-139-000-005**  
50x28mm  
(R: 17mm)



**A-139-000-006**  
50x28mm  
(R: 17mm)



**A-139-000-007**  
50x28mm  
(R: 17mm)



**S-3484-1**  
49x28mm  
(R: 12mm)



**S-3484-2**  
49x28mm  
(R: 12mm)



**S-3484-3**  
49x28mm  
(R: 12mm)



**S-3484-5**  
49x28mm  
(R: 12mm)



**S-5336-601**  
30x24mm  
(R: 12mm)



**S-5336-602**  
30x24mm  
(R: 12mm)



**S-5336-901**  
30x24mm  
(R: 12mm)



**S-5336-902**  
30x24mm  
(R: 12mm)



**S-5337-601**  
54x37mm  
(R: 17mm)



**S-5337-602**  
54x37mm  
(R: 17mm)



**S-5337-901**  
54x37mm  
(R: 17mm)



**S-5337-902**  
54x37mm  
(R: 17mm)



**S-606-901**  
29x23mm  
(R: 13mm)



**S-606-902**  
29x23mm  
(R: 13mm)



**S-950-901**  
30x24mm  
(R: 8mm)



**S-950-902**  
30x24mm  
(R: 8mm)



**S-407-075**  
20x20mm  
(R: 15mm)



**S-407-080**  
20x20mm  
(R: 15mm)



**S-407-085**  
20x20mm  
(R: 15mm)



**S-407-090**  
20x20mm  
(R: 15mm)



**A-130-000-001**  
21x20mm  
(R: 9mm)



**A-130-000-002**  
21x20mm  
(R: 9mm)



**A-130-000-003**  
21x20mm  
(R: 9mm)



**A-130-000-004**  
21x20mm  
(R: 9mm)



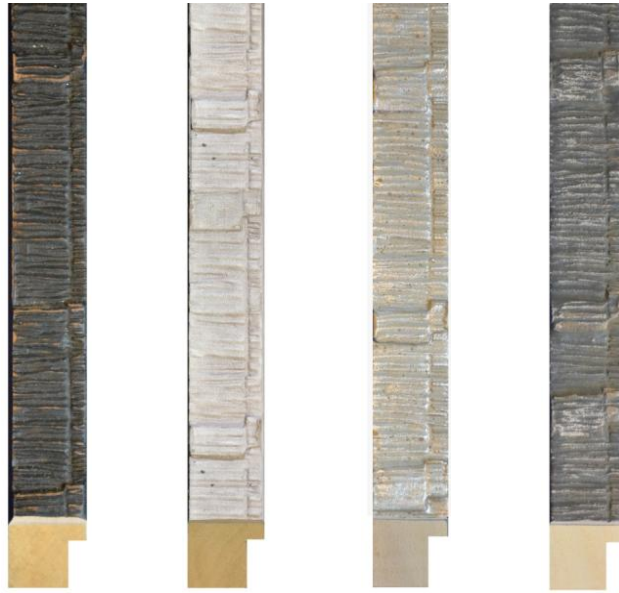
**A-130-000-005**  
21x20mm  
(R: 9mm)



**A-130-000-006**  
21x20mm  
(R: 9mm)



**A-130-000-007**  
21x20mm  
(R: 9mm)

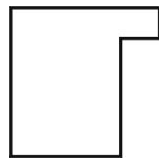


**DS-01-01**

**DS-01-02**

**DS-01-04**

**DS-01-21**



19x19mm (R:15mm)





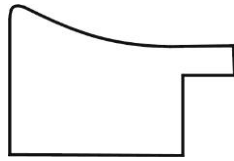
**DS-06-02**



**DS-06-08**



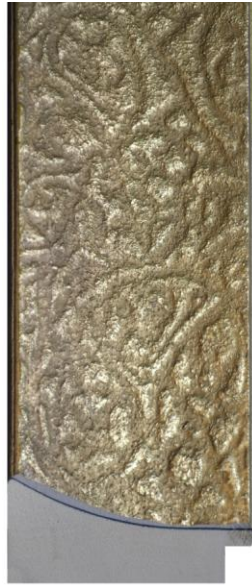
**DS-06-21**



30x20mm (R:11mm)



**DS-11-02**



**DS-11-03**



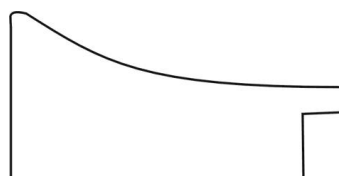
**DS-11-04**



**DS-11-08**



**DS-11-12**



60x30mm (R:12mm)



**DS-13-02**



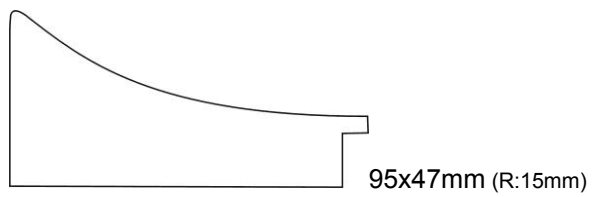
**DS-13-04**



**DS-13-08**

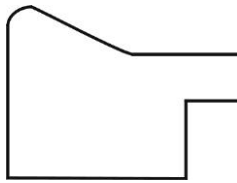


**DS-13-12**





**DS-14-08**



31x23mm (R:10mm)



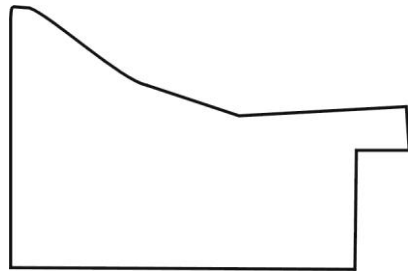
**DS-15-01**



**DS-15-02**



**DS-15-08**

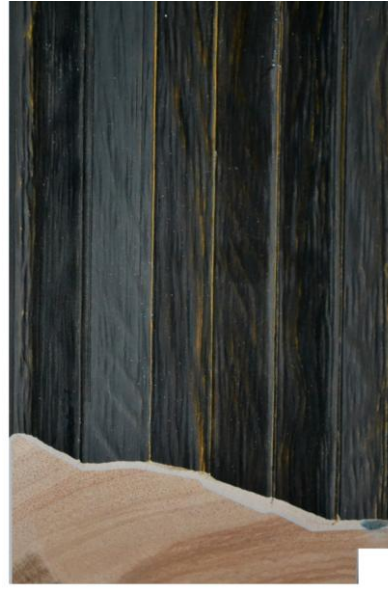


53x35mm (R:15mm)

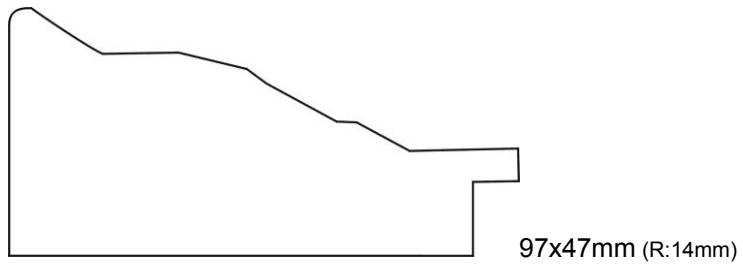




**DS-17-02**



**DS-17-08**

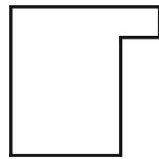




**DS-23-27**



**DS-23-77**



19x19mm (R:15mm)





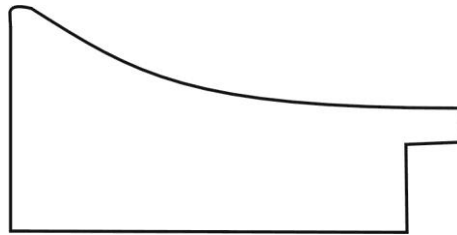
**DS-26-01**



**DS-26-27**



**DS-26-77**

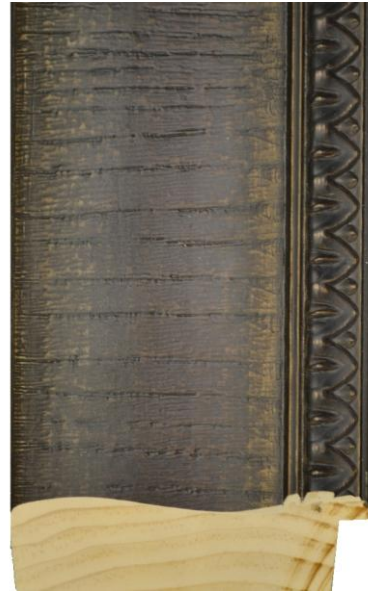


60x30mm (R:12mm)





**E-FM463-BR2**  
88x27mm  
(R:20mm)



**E-FM3742-BR2**  
90x30mm

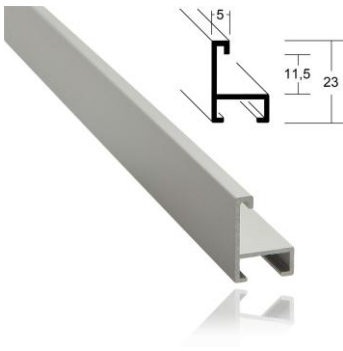
KI-01-0084



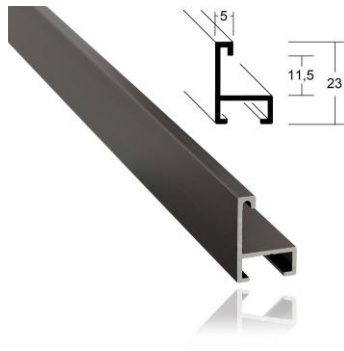
**E-S362-BR4**  
67x20mm  
(R: 11mm)



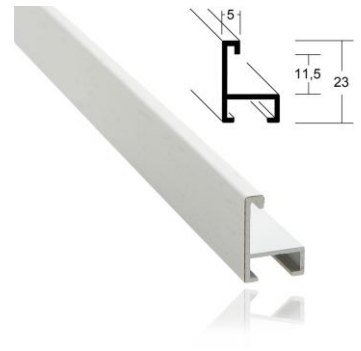
**E-S362-CHB**  
67x20mm  
(R: 11mm)



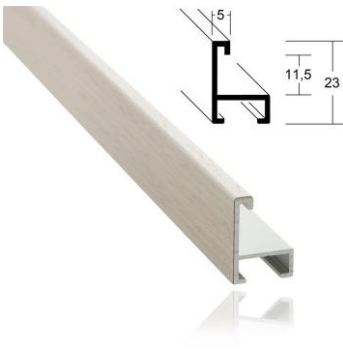
**ALU-030-004**



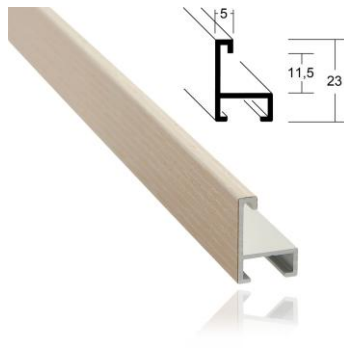
**ALU-030-250**



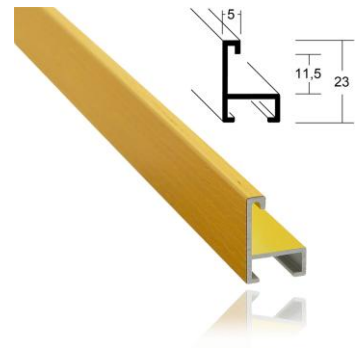
**ALU-030-301**



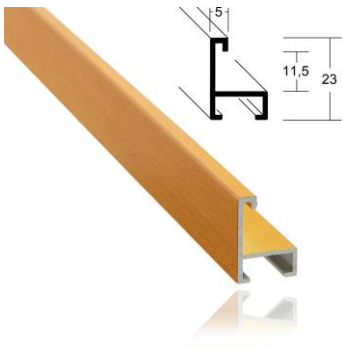
**ALU-030-302**



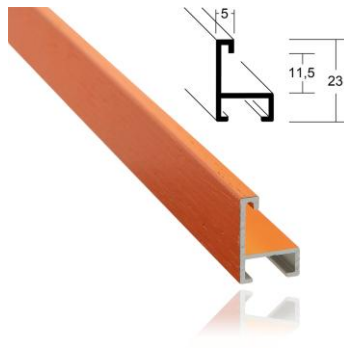
**ALU-030-303**



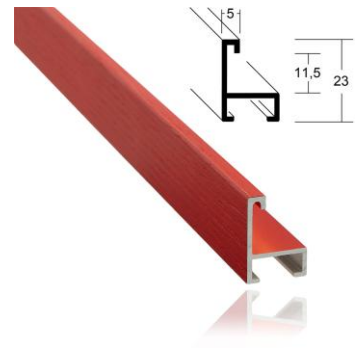
**ALU-030-304**



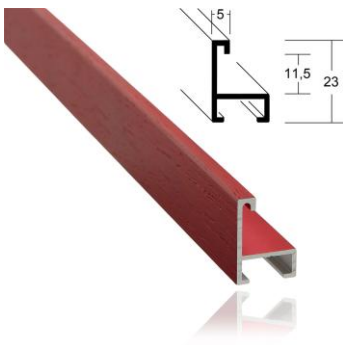
**ALU-030-305**



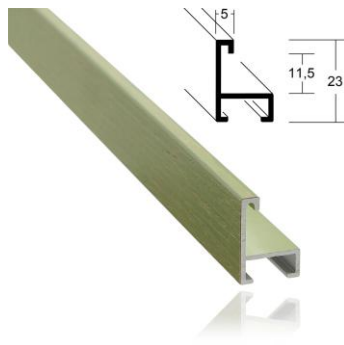
**ALU-030-306**



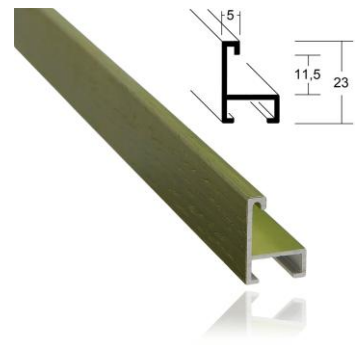
**ALU-030-307**



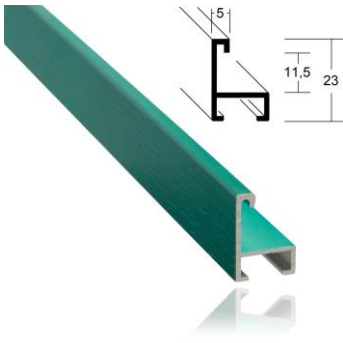
**ALU-030-308**



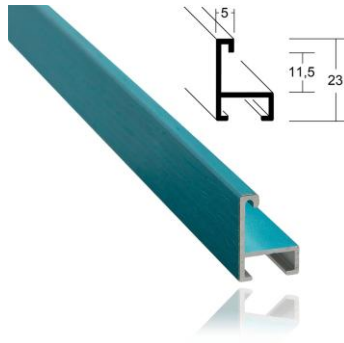
**ALU-030-309**



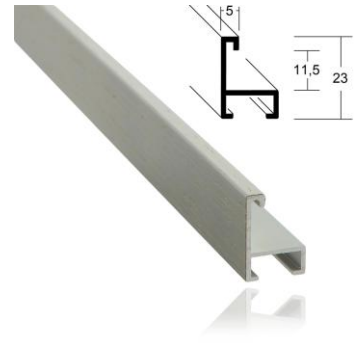
**ALU-030-310**



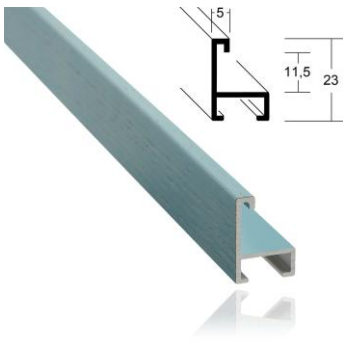
**ALU-030-311**



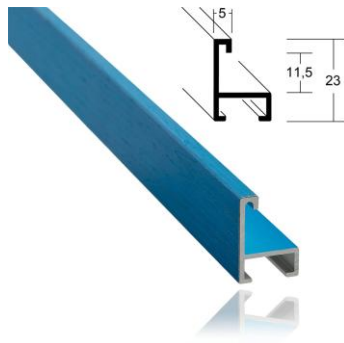
**ALU-030-312**



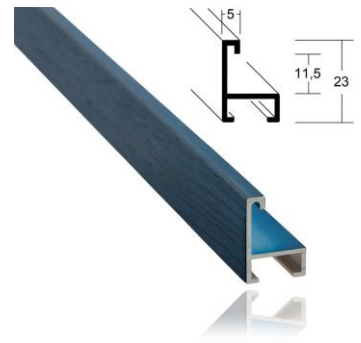
**ALU-030-313**



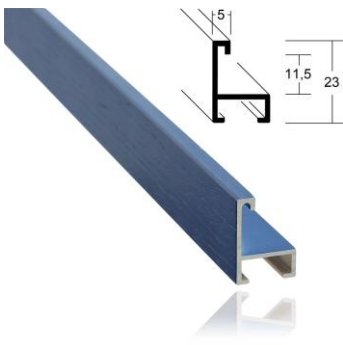
**ALU-030-314**



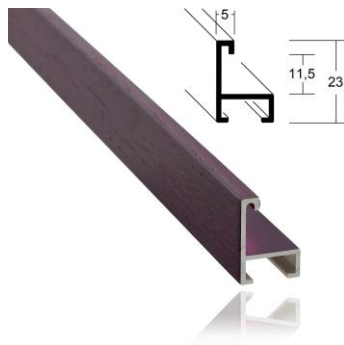
**ALU-030-315**



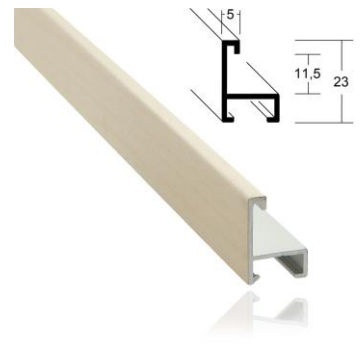
**ALU-030-316**



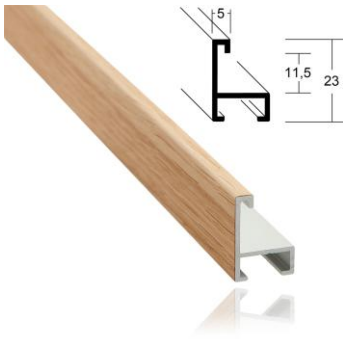
**ALU-030-317**



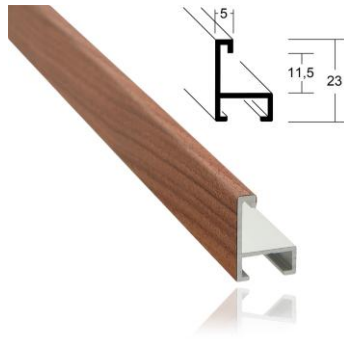
**ALU-030-318**



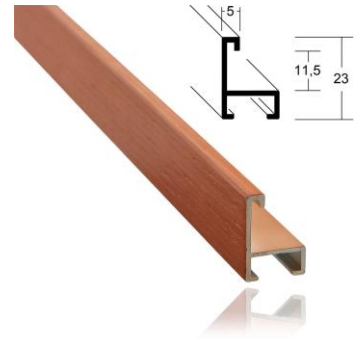
**ALU-030-319**



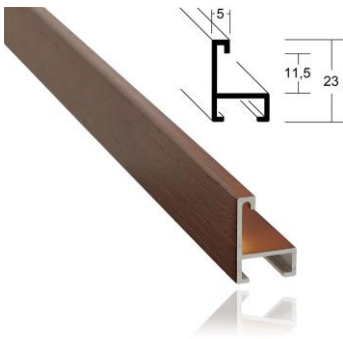
**ALU-030-320**



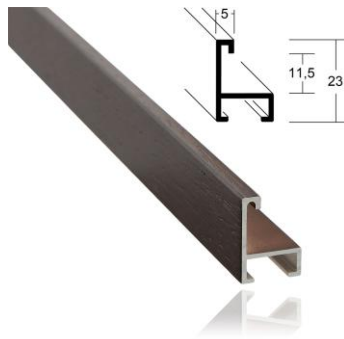
**ALU-030-321**



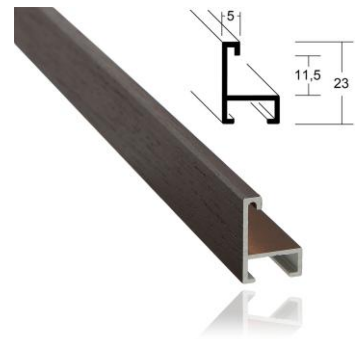
**ALU-030-323**



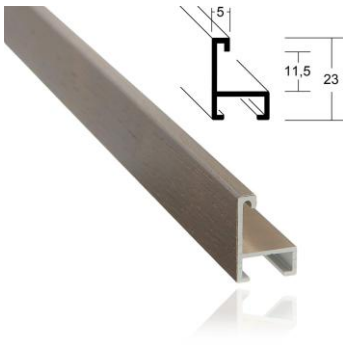
**ALU-030-324**



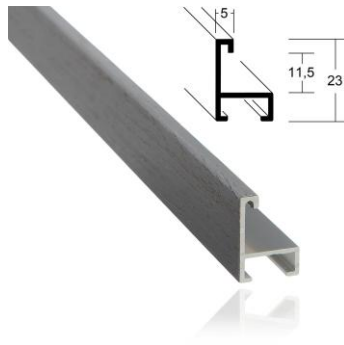
**ALU-030-325**



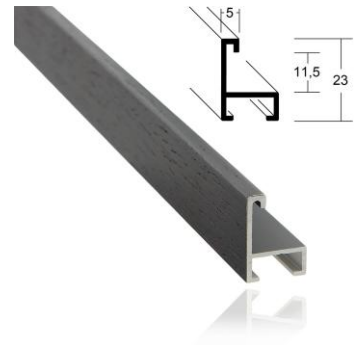
**ALU-030-326**



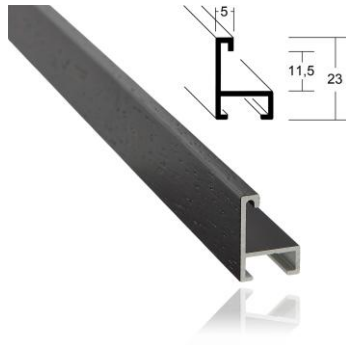
**ALU-030-327**



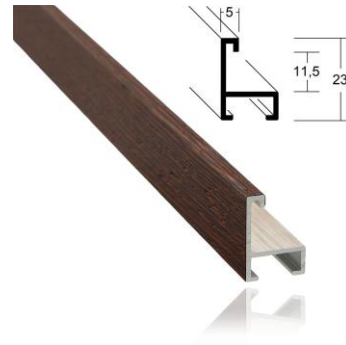
**ALU-030-328**



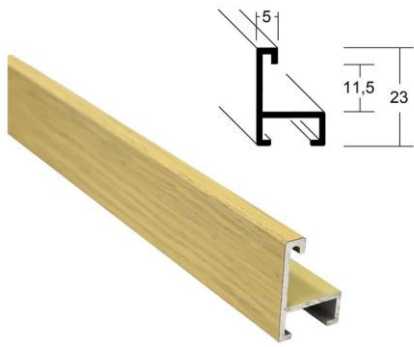
**ALU-030-329**



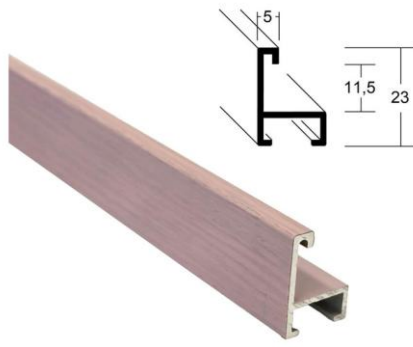
**ALU-030-330**



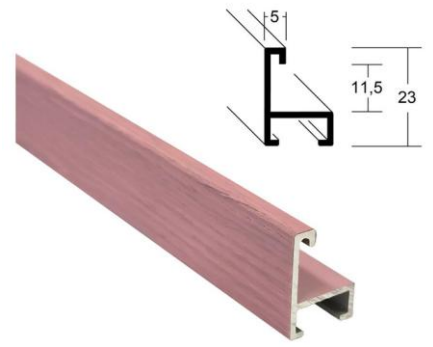
**ALU-030-331**



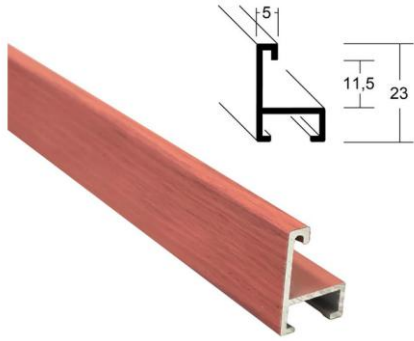
**ALU-030-341**



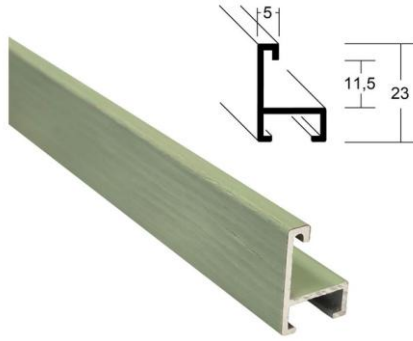
**ALU-030-342**



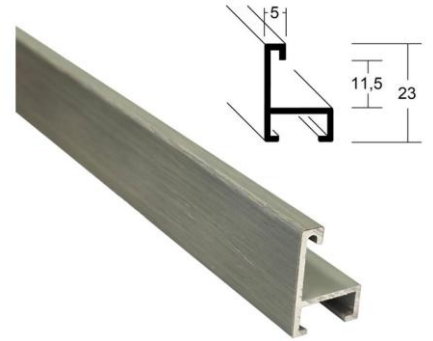
**ALU-030-343**



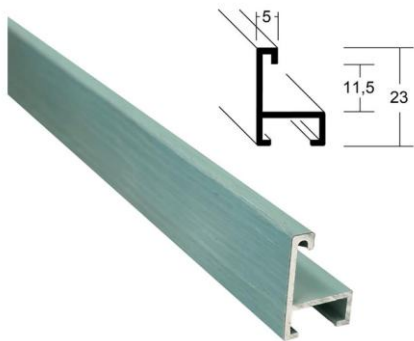
**ALU-030-344**



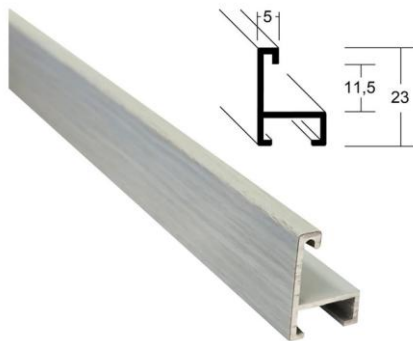
**ALU-030-345**



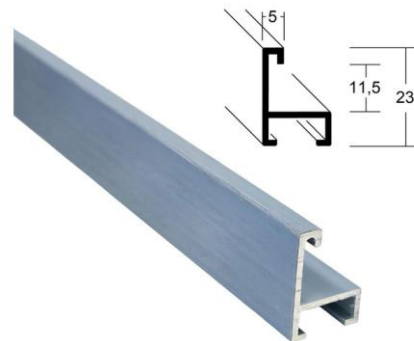
**ALU-030-346**



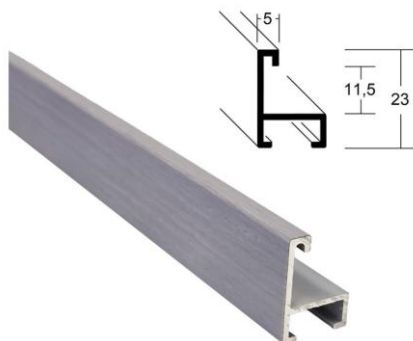
**ALU-030-347**



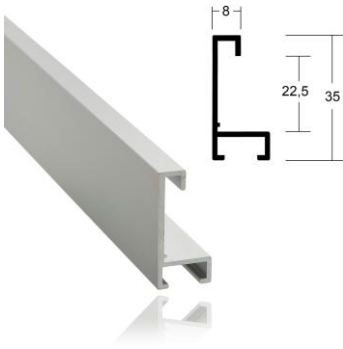
**ALU-030-348**



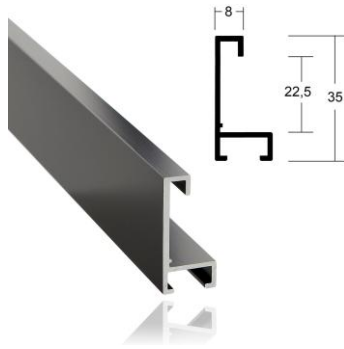
**ALU-030-349**



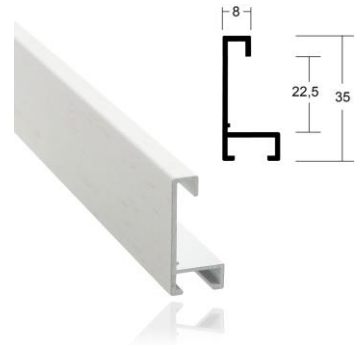
**ALU-030-350**



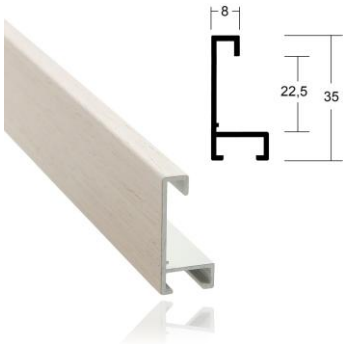
**ALU-035-004**  
Spacer 8mm: ALU-D8-004



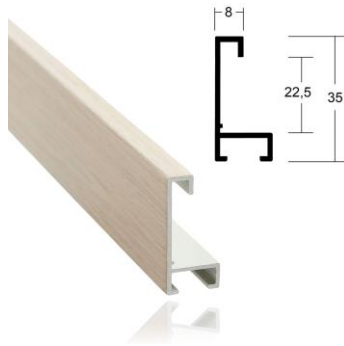
**ALU-035-250**  
Spacer 8mm: ALU-D8-250



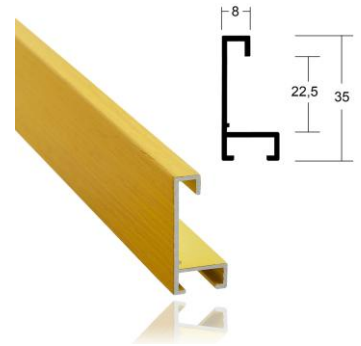
**ALU-035-301**  
Spacer 8mm: ALU-D8-301



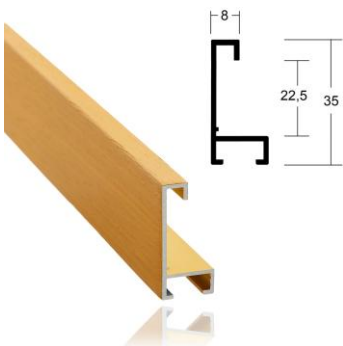
**ALU-035-302**  
Spacer 8mm: ALU-D8-302



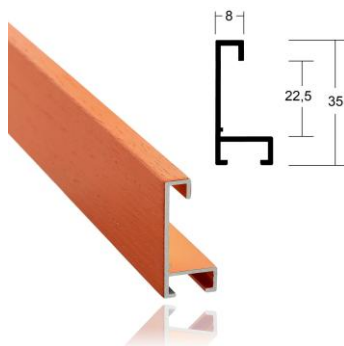
**ALU-035-303**  
Spacer 8mm: ALU-D8-303



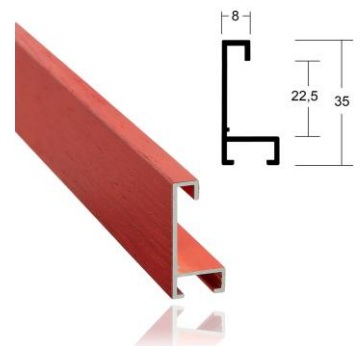
**ALU-035-304**  
Spacer 8mm: ALU-D8-304



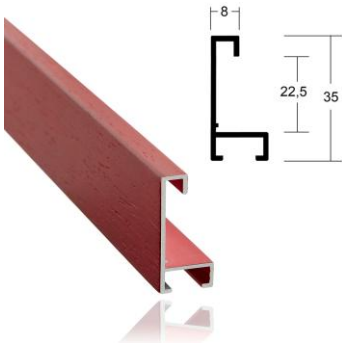
**ALU-035-305**  
Spacer 8mm: ALU-D8-305



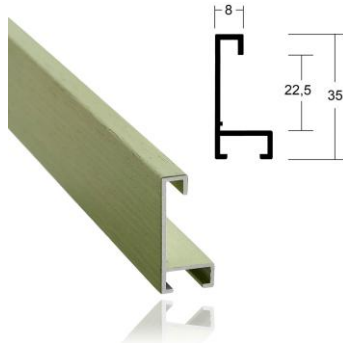
**ALU-035-306**  
Spacer 8mm: ALU-D8-306



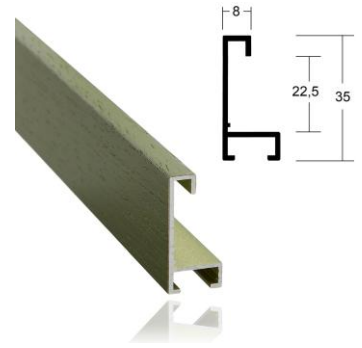
**ALU-035-307**  
Spacer 8mm: ALU-D8-307



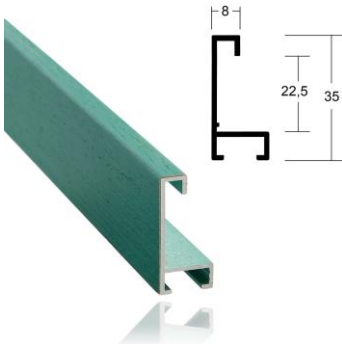
**ALU-035-308**  
Spacer 8mm: ALU-D8-308



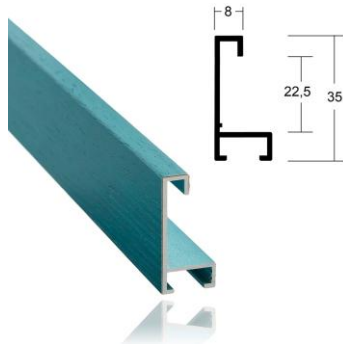
**ALU-035-309**  
Spacer 8mm: ALU-D8-309



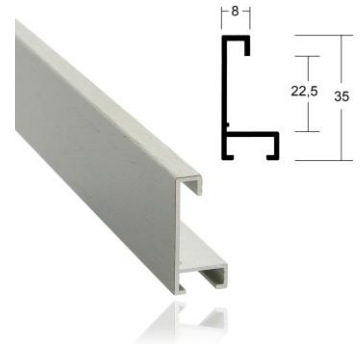
**ALU-035-310**  
Spacer 8mm: ALU-D8-310



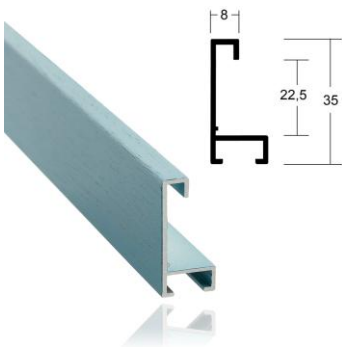
**ALU-035-311**  
Spacer 8mm: ALU-D8-311



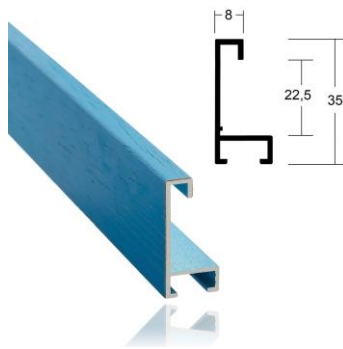
**ALU-035-312**  
Spacer 8mm: ALU-D8-312



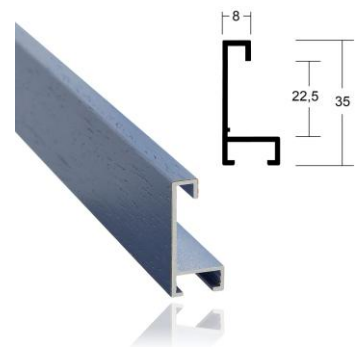
**ALU-035-313**  
Spacer 8mm: ALU-D8-313



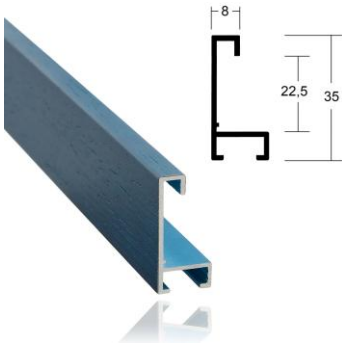
**ALU-035-314**  
Spacer 8mm: ALU-D8-314



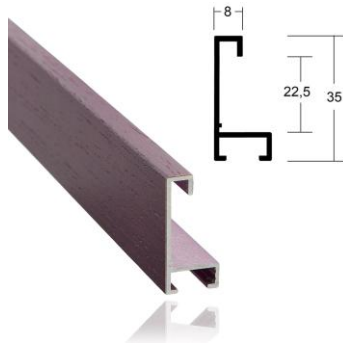
**ALU-035-315**  
Spacer 8mm: ALU-D8-315



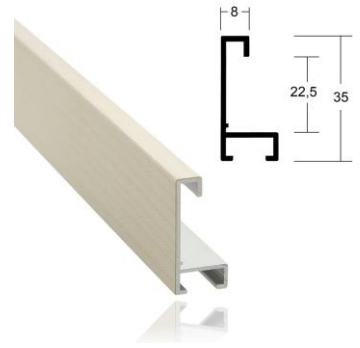
**ALU-035-316**  
Spacer 8mm: ALU-D8-316



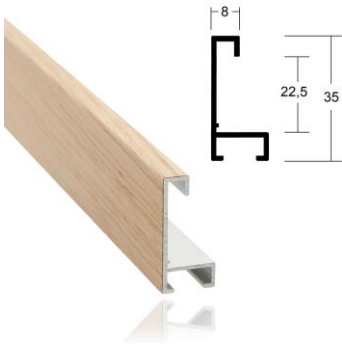
**ALU-035-317**  
Spacer 8mm: ALU-D8-317



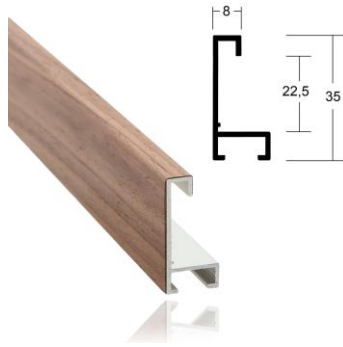
**ALU-035-318**  
Spacer 8mm: ALU-D8-318



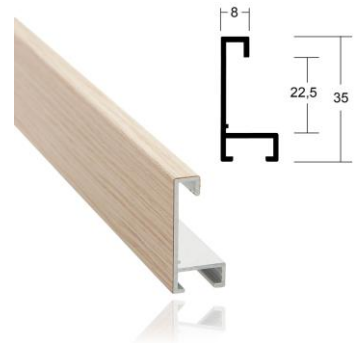
**ALU-035-319**  
Spacer 8mm: ALU-D8-319



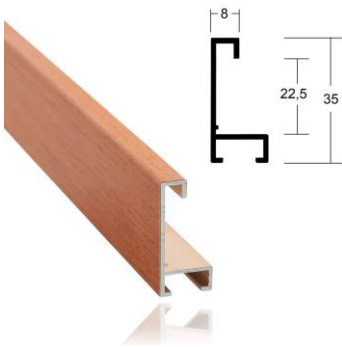
**ALU-035-320**  
Spacer 8mm: ALU-D8-320



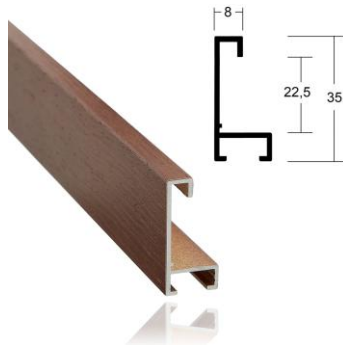
**ALU-035-321**  
Spacer 8mm: ALU-D8-321



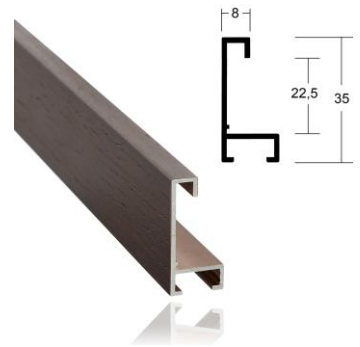
**ALU-035-322**  
Spacer 8mm: ALU-D8-322



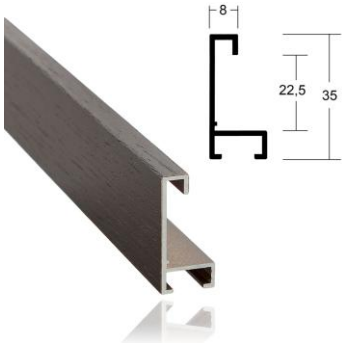
**ALU-035-323**  
Spacer 8mm: ALU-D8-323



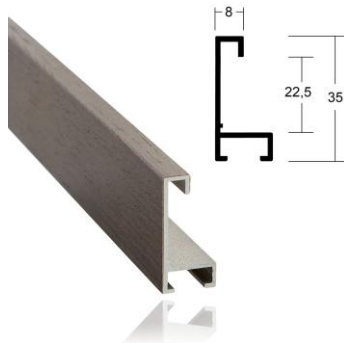
**ALU-035-324**  
Spacer 8mm: ALU-D8-324



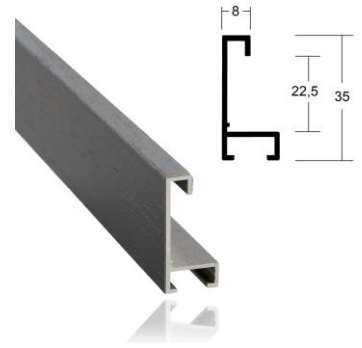
**ALU-035-325**  
Spacer 8mm: ALU-D8-325



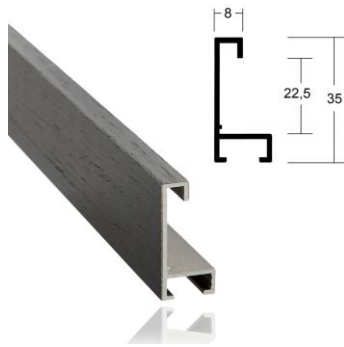
**ALU-035-326**  
Spacer 8mm: ALU-D8-326



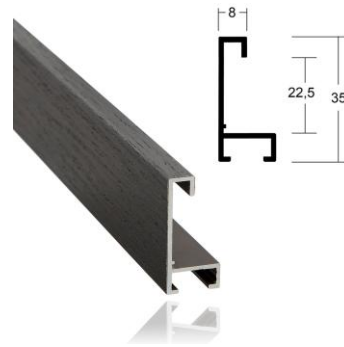
**ALU-035-327**  
Spacer 8mm: ALU-D8-327



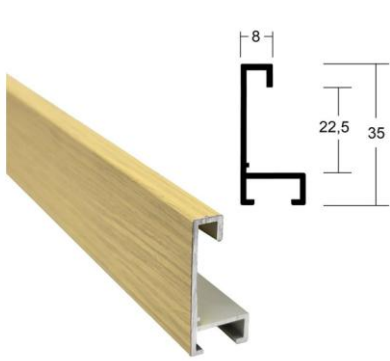
**ALU-035-328**  
Spacer 8mm: ALU-D8-328



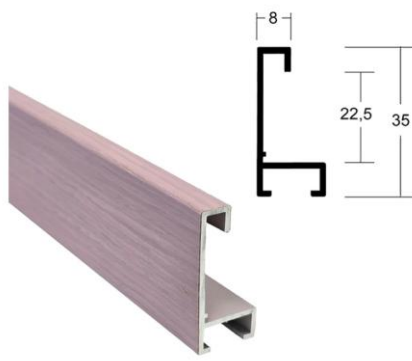
**ALU-035-329**  
Spacer 8mm: ALU-D8-329



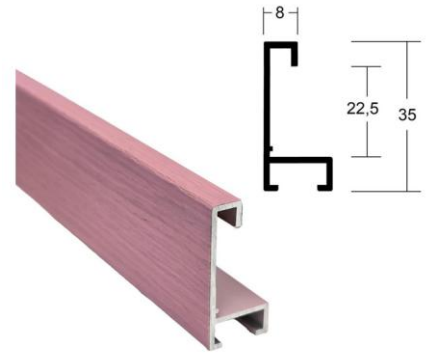
**ALU-035-330**  
Spacer 8mm: ALU-D8-330



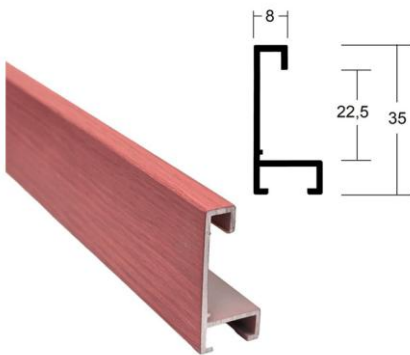
**ALU-035-341**  
Spacer 8mm: ALU-D8-341



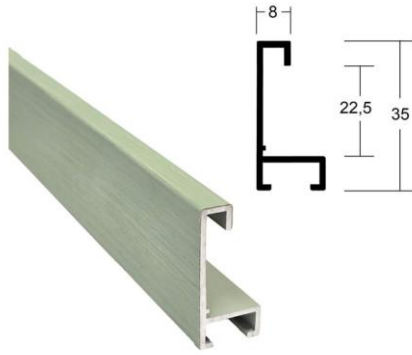
**ALU-035-342**  
Spacer 8mm: ALU-D8-342



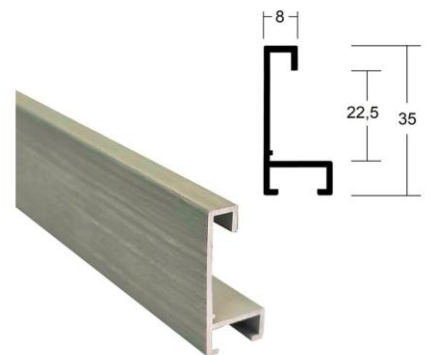
**ALU-035-343**  
Spacer 8mm: ALU-D8-343



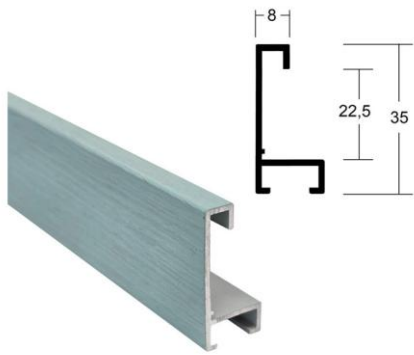
**ALU-035-344**  
Spacer 8mm: ALU-D8-344



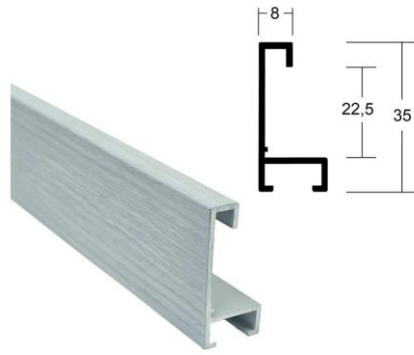
**ALU-035-345**  
Spacer 8mm: ALU-D8-345



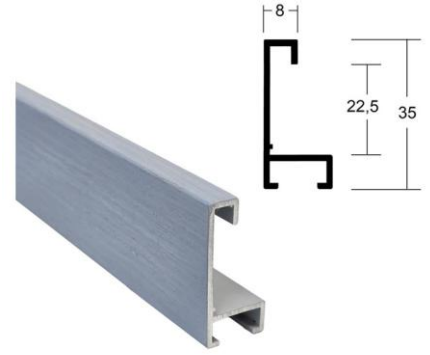
**ALU-035-346**  
Spacer 8mm: ALU-D8-346



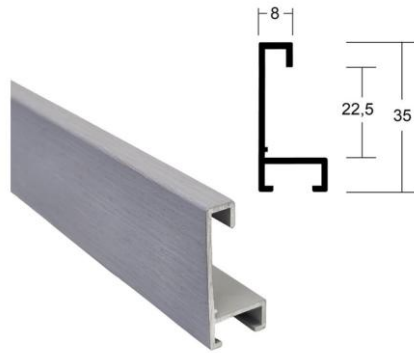
**ALU-035-347**  
Spacer 8mm: ALU-D8-347



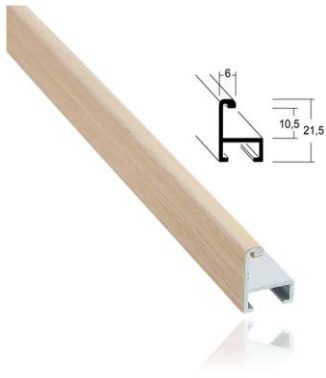
**ALU-035-348**  
Spacer 8mm: ALU-D8-348



**ALU-035-349**  
Spacer 8mm: ALU-D8-349



**ALU-035-350**  
Spacer 8mm: ALU-D8-350



**ALU-215-353**



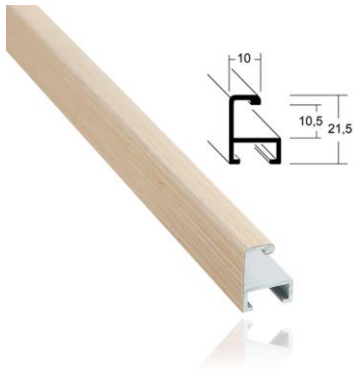
**ALU-215-356**



**ALU-215-357**



**ALU-215-360**



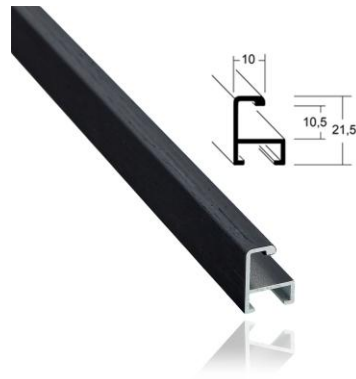
**ALU-225-353**



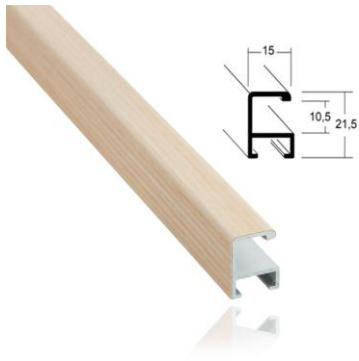
**ALU-225-356**



**ALU-225-357**



**ALU-225-360**



**ALU-235-353**



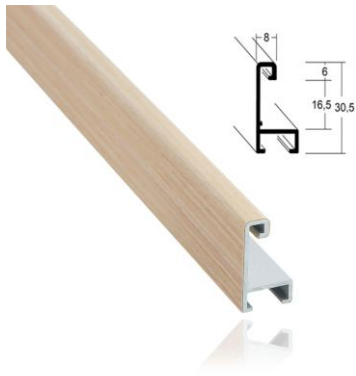
**ALU-235-356**



**ALU-235-357**



**ALU-235-360**



**ALU-245-353**



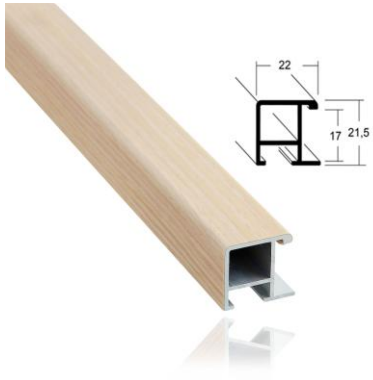
**ALU-245-356**



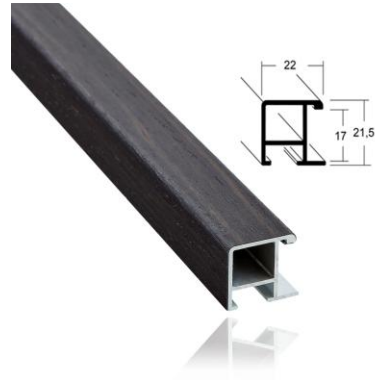
**ALU-245-357**



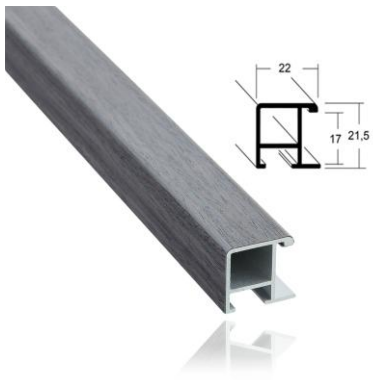
**ALU-245-360**



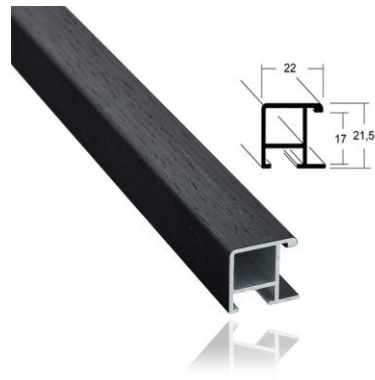
**ALU-255-353**



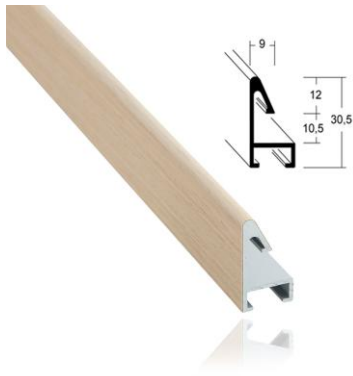
**ALU-255-356**



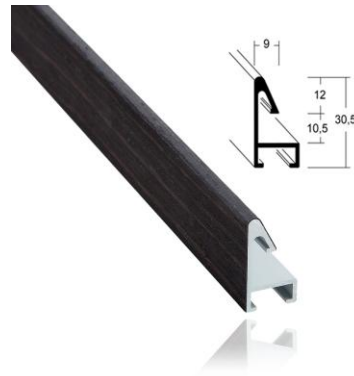
**ALU-255-357**



**ALU-255-360**



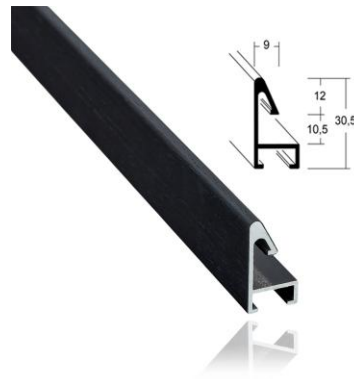
**ALU-515-353**



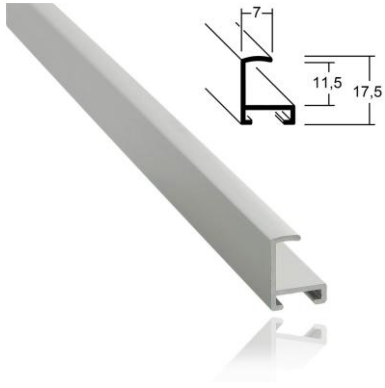
**ALU-515-356**



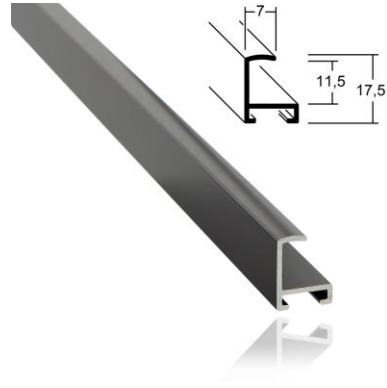
**ALU-515-357**



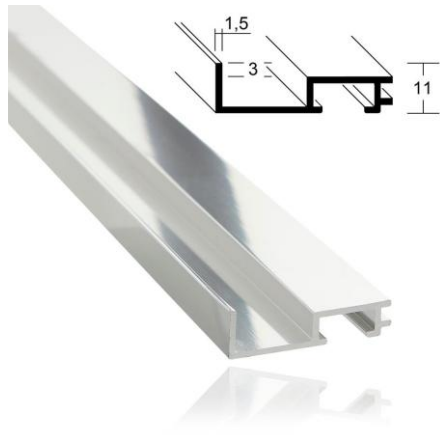
**ALU-515-360**



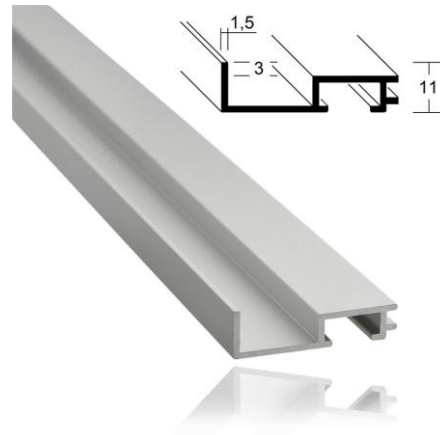
**ALU-001-004**



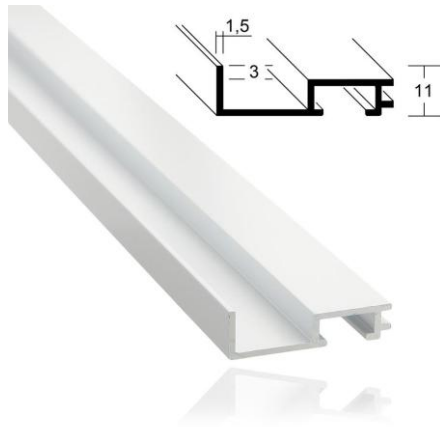
**ALU-001-250**



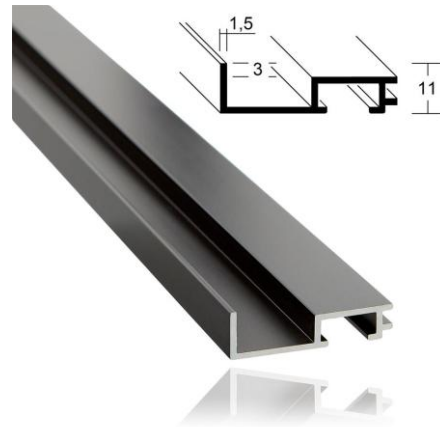
**ALU-981-003**



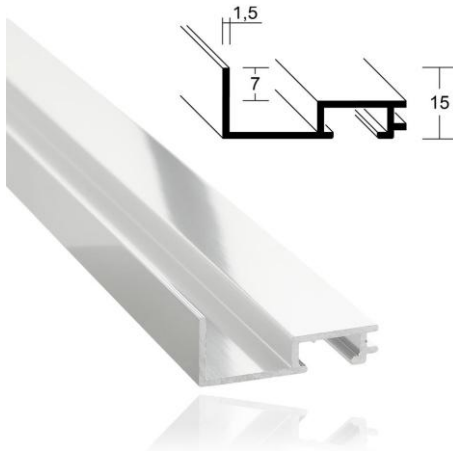
**ALU-981-004**



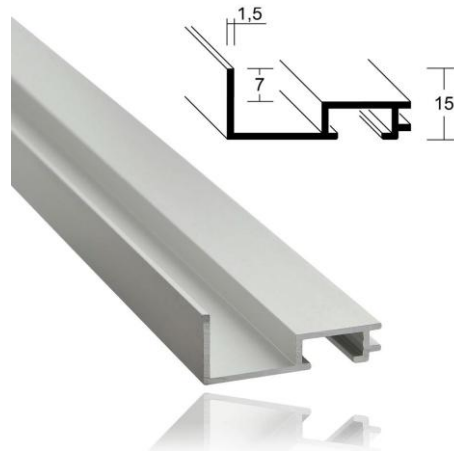
**ALU-981-027**



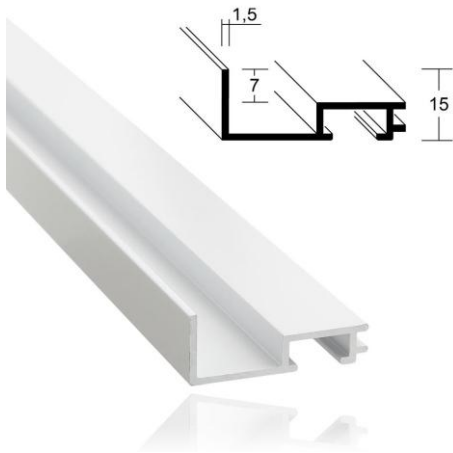
**ALU-981-250**



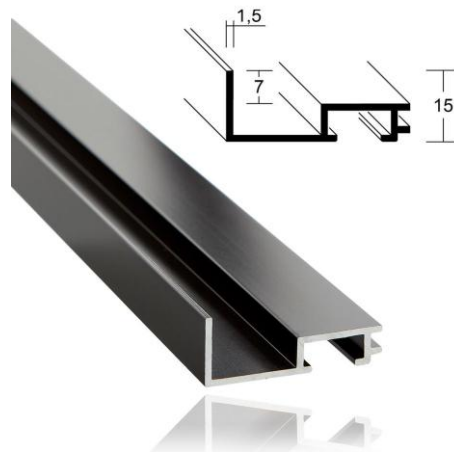
**ALU-982-003**



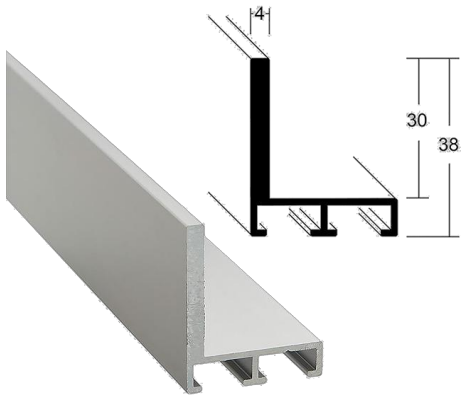
**ALU-982-004**



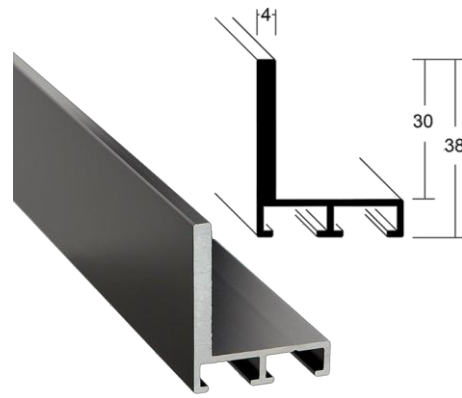
**ALU-982-027**



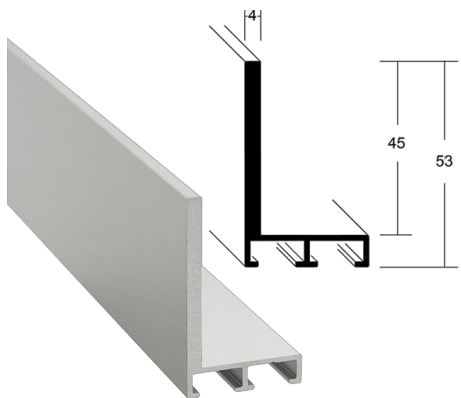
**ALU-982-250**



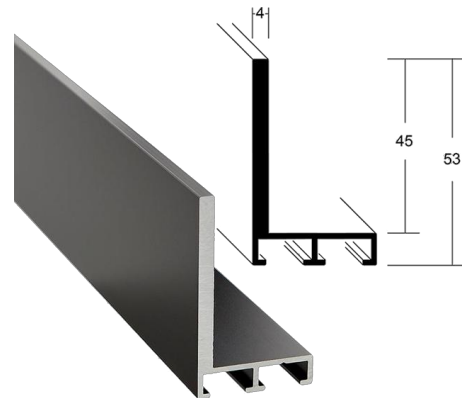
**ALU-600-004**



**ALU-600-250**



**ALU-610-004**



**ALU-610-250**